

SVENSK STANDARD

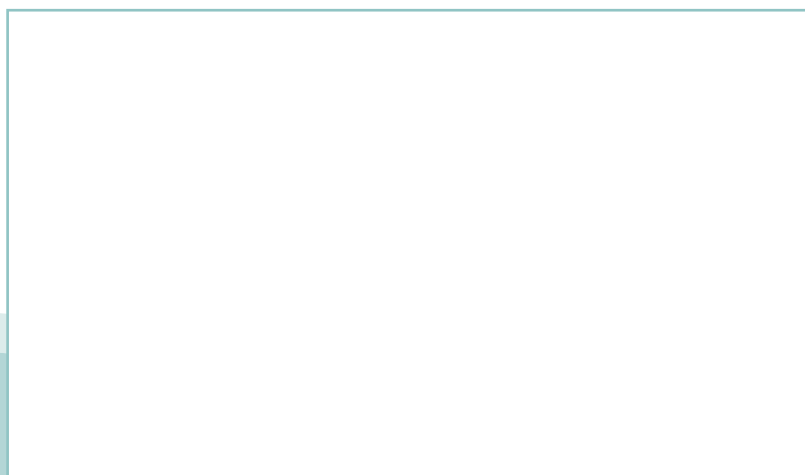
SS-EN ISO 7437



Fastställt/Approved: 1996-07-31
Publicerad/Published: 1996-07-31
Utgåva/Edition: 1
Språk/Language: engelska/English
ICS: 01.100.30; 92.100.20

Byggritningar – Allmänna regler för produktionsritningar för förtillverkade bärande bygghälar (ISO 7437:1990)

**Technical drawings – Construction drawings – General rules for
execution of production drawings for prefabricated structural
components (ISO 7437:1990)**



Standarder får världen att fungera

SIS (Swedish Standards Institute) är en fristående ideell förening med medlemmar från både privat och offentlig sektor. Vi är en del av det europeiska och globala nätverk som utarbetar internationella standarder. Standarder är dokumenterad kunskap utvecklad av framstående aktörer inom industri, näringsliv och samhälle och befrämjar handel över gränser, bidrar till att processer och produkter blir säkrare samt effektiviserar din verksamhet.

Delta och påverka

Som medlem i SIS har du möjlighet att påverka framtida standarder inom ditt område på nationell, europeisk och global nivå. Du får samtidigt tillgång till tidig information om utvecklingen inom din bransch.

Ta del av det färdiga arbetet

Vi erbjuder våra kunder allt som rör standarder och deras tillämpning. Hos oss kan du köpa alla publikationer du behöver – allt från enskilda standarder, tekniska rapporter och standardpaket till handböcker och onlinetjänster. Genom vår webbtjänst e-nav får du tillgång till ett lättnavigerat bibliotek där alla standarder som är aktuella för ditt företag finns tillgängliga. Standarder och handböcker är källor till kunskap. Vi säljer dem.

Utveckla din kompetens och lyckas bättre i ditt arbete

Hos SIS kan du gå öppna eller företagsinterna utbildningar kring innehåll och tillämpning av standarder. Genom vår närhet till den internationella utvecklingen och ISO får du rätt kunskap i rätt tid, direkt från källan. Med vår kunskap om standarders möjligheter hjälper vi våra kunder att skapa verklig nytta och lönsamhet i sina verksamheter.

Vill du veta mer om SIS eller hur standarder kan effektivisera din verksamhet är du välkommen in på www.sis.se eller ta kontakt med oss på tel 08-555 523 00.



Standards make the world go round

SIS (Swedish Standards Institute) is an independent non-profit organisation with members from both the private and public sectors. We are part of the European and global network that draws up international standards. Standards consist of documented knowledge developed by prominent actors within the industry, business world and society. They promote cross-border trade, they help to make processes and products safer and they streamline your organisation.

Take part and have influence

As a member of SIS you will have the possibility to participate in standardization activities on national, European and global level. The membership in SIS will give you the opportunity to influence future standards and gain access to early stage information about developments within your field.

Get to know the finished work

We offer our customers everything in connection with standards and their application. You can purchase all the publications you need from us - everything from individual standards, technical reports and standard packages through to manuals and online services. Our web service e-nav gives you access to an easy-to-navigate library where all standards that are relevant to your company are available. Standards and manuals are sources of knowledge. We sell them.

Increase understanding and improve perception

With SIS you can undergo either shared or in-house training in the content and application of standards. Thanks to our proximity to international development and ISO you receive the right knowledge at the right time, direct from the source. With our knowledge about the potential of standards, we assist our customers in creating tangible benefit and profitability in their organisations.

If you want to know more about SIS, or how standards can streamline your organisation, please visit www.sis.se or contact us on phone +46 (0)8-555 523 00



Europastandarden EN ISO 7437:1996 gäller som svensk standard. Detta dokument innehåller den officiella engelska versionen av EN ISO 7437:1996.

The European Standard EN ISO 7437:1996 has the status of a Swedish Standard. This document contains the official English version of EN ISO 7437:1996.

© Copyright/Upphovsrätten till denna produkt tillhör SIS, Swedish Standards Institute, Stockholm, Sverige. Användningen av denna produkt regleras av slutanvändarlicensen som återfinns i denna produkt, se standardens sista sidor.

© Copyright SIS, Swedish Standards Institute, Stockholm, Sweden. All rights reserved. The use of this product is governed by the end-user licence for this product. You will find the licence in the end of this document.

Uppllysningar om sakinnehållet i standarden lämnas av SIS, Swedish Standards Institute, telefon 08-555 520 00. Standarder kan beställas hos SIS Förlag AB som även lämnar allmänna uppllysningar om svensk och utländsk standard.

Information about the content of the standard is available from the Swedish Standards Institute (SIS), telephone +46 8 555 520 00. Standards may be ordered from SIS Förlag AB, who can also provide general information about Swedish and foreign standards.

Har du synpunkter på innehållet i den här standarden, vill du delta i ett kommande revideringsarbete eller vara med och ta fram andra standarder inom området? Gå in på www.sis.se - där hittar du mer information.

EUROPEAN STANDARD

EN ISO 7437

NORME EUROPÉENNE

EUROPÄISCHE NORM

April 1996

ICS 01.100.30

Descriptors: see ISO document

English version

**Technical drawings - Construction drawings -
General rules for execution of production drawings
for prefabricated structural components
(ISO 7437:1990)**

Dessins techniques - Dessins de construction -
Règles générales pour l'élaboration de dessins
d'exécution pour des composants de structure
préfabriqués (ISO 7437:1990)

Zeichnungen für das Bauwesen - Allgemeine
Regeln für die Erstellung von
Fertigungszeichnungen für vorgefertigte Teile
(ISO 7437:1990)

This European Standard was approved by CEN on 1996-03-02. CEN members are bound to comply with the CEN/CENELEC Internal Regulations which stipulate the conditions for giving this European Standard the status of a national standard without any alteration.

Up-to-date lists and bibliographical references concerning such national standards may be obtained on application to the Central Secretariat or to any CEN member.

The European Standards exist in three official versions (English, French, German). A version in any other language made by translation under the responsibility of a CEN member into its own language and notified to the Central Secretariat has the same status as the official versions.

CEN members are the national standards bodies of Austria, Belgium, Denmark, Finland, France, Germany, Greece, Iceland, Ireland, Italy, Luxembourg, Netherlands, Norway, Portugal, Spain, Sweden, Switzerland and United Kingdom.

CEN

European Committee for Standardization
Comité Européen de Normalisation
Europäisches Komitee für Normung

Central Secretariat: rue de Stassart, 36 B-1050 Brussels

Foreword

The text of the International Standard from Technical Committee ISO/TC 10 "Technical drawings, product definition and related documentation" of the International Organization for Standardization (ISO) has been taken over as a European Standard by the Technical Board of CEN .

This European Standard shall be given the status of a national standard, either by publication of an identical text or by endorsement, at the latest by October 1996, and conflicting national standards shall be withdrawn at the latest by October 1996.

According to the CEN/CENELEC Internal Regulations, the national standards organizations of the following countries are bound to implement this European Standard: Austria, Belgium, Denmark, Finland, France, Germany, Greece, Iceland, Ireland, Italy, Luxembourg, Netherlands, Norway, Portugal, Spain, Sweden, Switzerland and the United Kingdom.

Endorsement notice

The text of the International Standard ISO 7437:1990 has been approved by CEN as a European Standard without any modification.

NOTE: Normative references to International Standards are listed in annex ZA (normative).

Technical drawings — Construction drawings — General rules for execution of production drawings for prefabricated structural components

1 Scope

This International Standard establishes general rules for the execution of production drawings for prefabricated structural components.

The documentation for such prefabricated components includes drawings, specifications and schedules. This International Standard deals only with drawings.

NOTE 1 Specifications and schedules may be prepared as separate documents, or as additional information on the drawing sheet.

2 Normative references

The following standards contain provisions which, through reference in this text, constitute provisions of this International Standard. At the time of publication, the editions indicated were valid. All standards are subject to revision, and parties to agreements based on this International Standard are encouraged to investigate the possibility of applying the most recent editions of the standards indicated below. Members of IEC and ISO maintain registers of currently valid International Standards.

ISO 128:1982, *Technical drawings — General principles of presentation*.

ISO 3766:1977, *Building and civil engineering drawings — Symbols for concrete reinforcement*.

ISO 5455:1979, *Technical drawings — Scales*.

ISO 5457:1980, *Technical drawings — Sizes and layout of drawing sheets*.

ISO 6284:1985, *Tolerances for building — Indication of tolerances on building and construction drawings*.

3 Execution of production drawings

3.1 General rules

3.1.1 Production drawings for (moulded and non-moulded) prefabricated structural components shall define the shape and composition of the components. They shall be fully dimensioned and shall provide all the information necessary for the manufacture, inspection and further handling of the components, such as

- a) designations of the components,
- b) reinforcement,
- c) surface requirements,
- d) built-in parts, holes, recesses and grooves,
- e) provisions for easy removal from the mould, and
- f) safety devices for lifting, and provisions for handling, transportation and storage.

3.1.2 The drawings shall be executed in accordance with the relevant International Standards.

3.1.3 Preferred sheet sizes shall be chosen from those given in ISO 5457.

3.1.4 The preferred scales, in accordance with ISO 5455, are the following:

- a) main views and sections: 1:50, 1:20, 1:10;
- b) details: 1:20, 1:10, 1:5, 1:2, 1:1.

3.1.5 Views and sections shall be represented in accordance with the method using reference arrows as specified in ISO 128.

3.1.6 Dimensioning from a common origin is preferred. Circular recesses and holes shall be dimensioned to their centre line, and rectangular recesses and holes to their edges.

3.1.7 General tolerances are usually given in the specifications. If it is necessary to indicate special tolerances, these shall be indicated on the relevant figures and in accordance with ISO 6284.

3.2 Designation

3.2.1 The designation of the components shall be clearly indicated on the drawing, preferably in the title block. If more than one component is shown on one drawing, the designation(s) shall be adjacent to the main figure of the relevant component.

3.2.2 When the component requires marks for orientation or location in the structure, the space for and the form of these marks shall be indicated on the drawing as shown in figure 1.

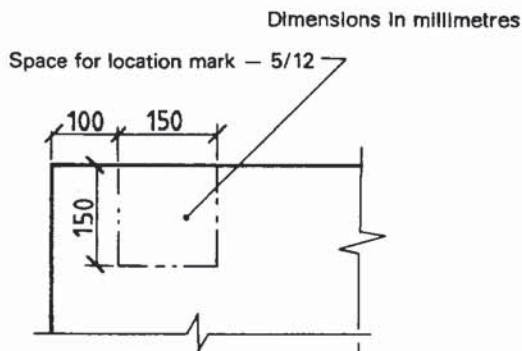


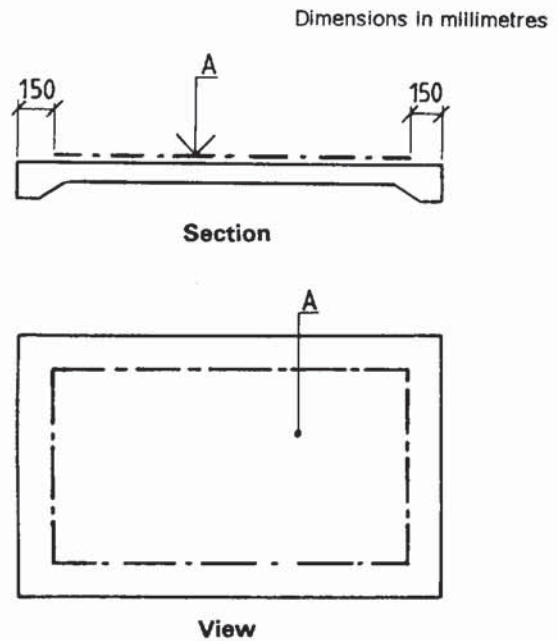
Figure 1 — Example of indication of a location mark with reference to a detail drawing

3.3 Reinforcement

Reinforcement shall be indicated in accordance with ISO 3766.

3.4 Surface requirements

Requirements for the surface finish are usually given in the specification. The boundary of surfaces which require special treatment shall be indicated on the drawing by a thick chain line as shown in figure 2.



NOTE — A is the reference to the specification.

Figure 2 — Example of indication of surface finish

3.5 Built-in parts

Built-in parts shall be precisely indicated on the drawing, if necessary by detail drawings, or by reference to a specification, a catalogue number, a type number, etc.

3.6 Provisions for easy removal from the mould

3.6.1 Provisions affecting the shape of the component shall be indicated and dimensioned on the drawing.

3.6.2 Other provisions for easy removal from the mould or for protection of the component are usually given in a specification.

3.7 Safety devices for lifting, and provisions for handling, transportation and storage

3.7.1 The positions where slings or other lifting or supporting devices may be applied directly to the component shall be shown on the drawing, for example by a simplified representation of the component in a smaller scale, as shown in figure 3. The location and extent of these positions shall be indicated by dimensions with tolerances (see 3.1.7).