

Handläggande organ

**MATERIAL- OCH MEKANSTANDARDISERINGEN, MMS**

Fastställt

1995-06-30

Utgåva

1

Sida

1 (1+7)

SIS FASTSTÄLLER OCH UTGER SVENSK STANDARD SAMT SÄLJER NATIONELLA, EUROPEISKA OCH INTERNATIONELLA STANDARDPUBLIKATIONER ©

## Side channel pumps PN 40 – Nominal duty point, main dimensions, designation system

The European Standard EN 734:1995 has the status of a Swedish Standard. This document contains the official English version of EN 734:1995.

Swedish Standards corresponding to documents referred to in this Standard are listed in "Catalogue of Swedish Standards", annually issued by SIS. The Catalogue lists, with reference number and year of Swedish approval, International and European Standards approved as Swedish Standards as well as other Swedish Standards.

## Pumpar – Sidokanalspumpar PN 40 – Nominell driftspunkt, huvudmått, beteckningssystem

Europastandarden EN 734:1995 gäller som svensk standard. Detta dokument innehåller den officiella engelska versionen av EN 734:1995.

Motsvarigheten och aktualiteten i svensk standard till de publikationer som omnämns i denna standard framgår av "Katalog över svensk standard", som årligen ges ut av SIS. I katalogen redovisas internationella och europeiska standarder som fastställts som svenska standarder och övriga gällande svenska standarder.



EUROPEAN STANDARD  
NORME EUROPÉENNE  
EUROPÄISCHE NORM

**EN 734**

April 1995

---

ICS 23.080

Descriptors: pumps, designation, dimensions, performance evaluation, pressure tests, hydrostatic pressure

English version

**Side channel pumps PN 40 – Nominal duty point,  
main dimensions, designation system**

Pompes à canal latéral PN 40 – Point de fonctionnement nominal, dimensions principales, système de désignation

Seitenkanalpumpen PN 40 – Nennleistung, Hauptmaße, Bezeichnungssystem

This European Standard was approved by CEN on 1994-10-03. CEN members are bound to comply with the CEN/CENELEC Internal Regulations which stipulate the conditions for giving this European Standard the status of a national standard without any alteration.

Up-to-date lists and bibliographical references concerning such national standards may be obtained on application to the Central Secretariat or to any CEN member.

The European Standards exist in three official versions (English, French, German). A version in any other language made by translation under the responsibility of a CEN member into its own language and notified to the Central Secretariat has the same status as the official versions.

CEN members are the national standards bodies of Austria, Belgium, Denmark, Finland, France, Germany, Greece, Iceland, Ireland, Italy, Luxembourg, Netherlands, Norway, Portugal, Spain, Sweden, Switzerland and United Kingdom.

**CEN**

European Committee for Standardization  
Comité Européen de Normalisation  
Europäisches Komitee für Normung

Central Secretariat: rue de Stassart 36, B-1050 BRUSSELS

<b>Contents</b>	<b>Page</b>
Foreword	3
1 Scope	4
2 Definition	4
3 Nominal duty point and main dimensions	4
4 Hydrostatic pressure test	7
5 Designation	7

## **Foreword**

This European standard has been prepared by SC4 "Rotodynamic pumps" of CEN/TC 197 "Pumps" of which the Secretariat is held by DIN, based on a proposal, document CEN/TC 197/SC 4 N 21, submitted by the European Committee of Pump manufacturers (EUROPUMP) in December 1990 and was adopted for CEN enquiry at the CEN/TC 197/SC 4 meeting on 1991-03-14 in Frankfurt.

This European Standard shall be given the status of a national standard, either by publication of an identical text or by endorsement, at the latest by October 1995, and conflicting national standards shall be withdrawn at the latest by October 1995.

According to the CEN/CENLEC Rules, the following countries are bound to implement this European Standard: Austria, Belgium, Denmark, Finland, France, Germany, Greece, Iceland, Ireland, Italy, Luxembourg, Netherlands, Norway, Portugal, Spain, Sweden, Switzerland and the United Kingdom.

## 1 Scope

This European Standard specifies the designations, nominal duty point and main dimensions of heavy duty side channel pumps with a nominal pressure of 40 bar.

NOTE: Depending on special circumstances e.g. temperature, materials, sealing of the shaft etc., excess operating pressure need not attain the value of the nominal pressure under any circumstances.

## 2 Definition

For the purposes of this standard, the following definition applies:

**2.1 side channel pumps:** Liquid pumps which evacuate the inlet pipe and thereby automatically draw in the liquid to be pumped without the aid of ancillary equipment. They must be able to pump a liquid gas mixture with a gas content of at least 30 % at the suction nozzle, with steady operation.

## 3 Nominal duty point and main dimensions

The nominal duty point and main dimensions appropriate to the relevant pump designation shall be given in table 1 and as illustrated in figure 1.

Figure 1 illustrates a pictorial representation of a side channel pump. Pumps to this standard shall not need to correspond to this pictorial representation, only the indicated dimensions and direction of rotation are to be as specified.

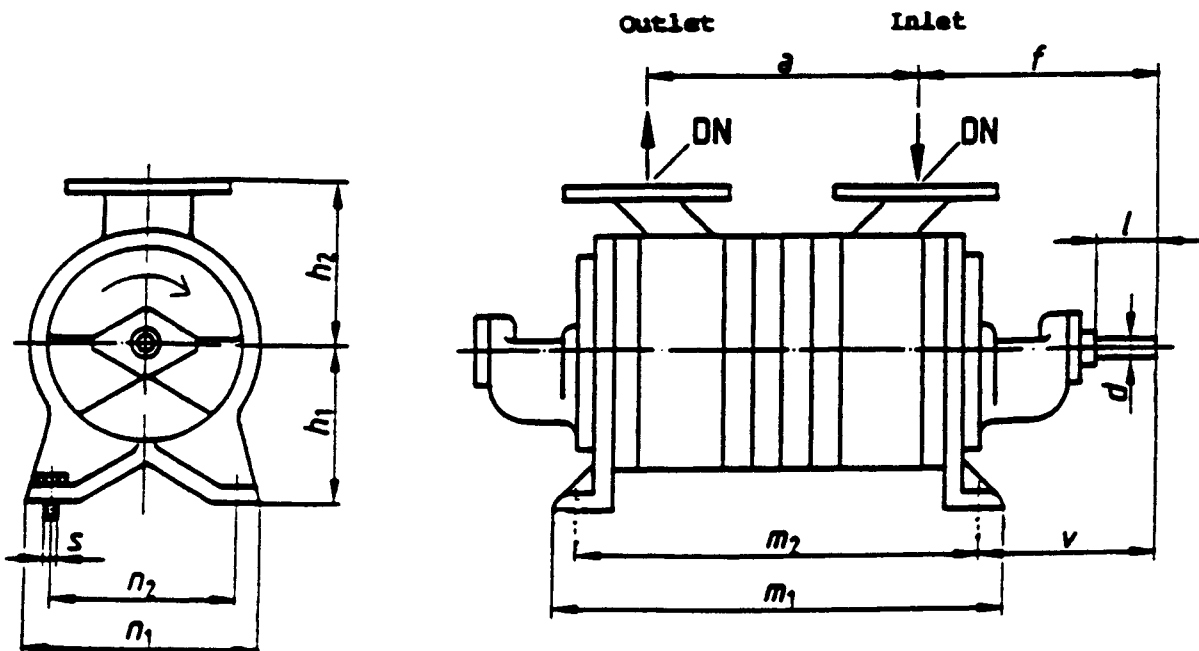


Figure 1: Main dimensions