

Agricultural wheeled tractors and implement – Three-point hitch couplers – Part 4: Bar coupler

The International Standard ISO 11 001-4:1994 has the status of a Swedish Standard. This document contains the official English version of ISO 11 001-4:1994.

SS-ISO 11 001-4 supersedes the Swedish standard SS 3497.

Swedish Standards corresponding to documents referred to in this Standard are listed in "Catalogue of Swedish Standards", annually issued by SIS. The Catalogue lists, with reference number and year of Swedish approval, International and European Standards approved as Swedish Standards as well as other Swedish Standards.

Lantbruk – Traktorer och redskap – Trepunktskoppling – Del 4: Bäraxel

Den internationella standarden ISO 11 001-4:1994 gäller som svensk standard. Detta dokument innehåller den officiella engelska versionen av ISO 11 001-4:1994.

SS-ISO 11 001-4 ersätter SS 3497.

Motsvarigheten och aktualiteten i svensk standard till de publikationer som omnämns i denna standard framgår av "Katalog över svensk standard", som årligen ges ut av SIS. I katalogen redovisas internationella och europeiska standarder som fastställts som svenska standarder och övriga gällande svenska standarder.

ISO 11 001-1 avser U-ramskoppling och avses inte fastställas som svensk standard.

ISO 11 001-2 avser A-ramskoppling och ingår i SS 3646.

ISO 11 001-3 avser fånghakekoppling och motsvaras av SS 3645.

INTERNATIONAL
STANDARD

ISO
11001-4

First edition
1994-12-01

**Agricultural wheeled tractors and
implements — Three-point hitch
couplers —**

Part 4:
Bar coupler

*Tracteurs agricoles à roues et instruments — Coupleurs rapides trois
points —*

Partie 4: Coupleur par barre



Reference number
ISO 11001-4:1994(E)

Foreword

ISO (the International Organization for Standardization) is a worldwide federation of national standards bodies (ISO member bodies). The work of preparing International Standards is normally carried out through ISO technical committees. Each member body interested in a subject for which a technical committee has been established has the right to be represented on that committee. International organizations, governmental and non-governmental, in liaison with ISO, also take part in the work. ISO collaborates closely with the International Electrotechnical Commission (IEC) on all matters of electrotechnical standardization.

Draft International Standards adopted by the technical committees are circulated to the member bodies for voting. Publication as an International Standard requires approval by at least 75 % of the member bodies casting a vote.

International Standard ISO 11001-4 was prepared by Technical Committee ISO/TC 23, *Tractors and machinery for agriculture and forestry*, Subcommittee SC 4, *Tractors*.

ISO 11001 consists of the following parts, under the general title *Agricultural wheeled tractors and implements — Three-point hitch couplers*:

- *Part 1: U-frame coupler*
- *Part 2: A-frame coupler*
- *Part 3: Link coupler*
- *Part 4: Bar coupler*

© ISO 1994

All rights reserved. Unless otherwise specified, no part of this publication may be reproduced or utilized in any form or by any means, electronic or mechanical, including photocopying and microfilm, without permission in writing from the publisher.

International Organization for Standardization
Case Postale 56 • CH-1211 Genève 20 • Switzerland

Printed in Switzerland

Agricultural wheeled tractors and implements — Three-point hitch couplers —

Part 4: Bar coupler

1 Scope

This part of ISO 11001 specifies the essential dimensions for the attachment of three-point hitch implements to the rear of agricultural wheeled tractors equipped with a three-point free link hitch according to ISO 730-1 and a bar coupler.

NOTE 1 In general, the dimensions associated with the tractor and the implement for use with hitch couplers are the same as for the three-point linkage specified in ISO 730-1. Due to the special construction and function of the bar coupler it infringes on the clearance zone specified in ISO 2332.

The three-point hitch coupler systems constitute a special way of implement mounting. The hitch couplers are an additional component located between the three-point linkage and the implement making it possible to hitch and unhitch from the operator's seat.

This part of ISO 11001 applies to categories 2 and 3 of agricultural wheeled tractors as defined in ISO 730-1.

2 Normative references

The following standards contain provisions which, through reference in this text, constitute provisions of this part of ISO 11001. At the time of publication, the editions indicated were valid. All standards are subject to revision, and parties to agreements based on this part of ISO 11001 are encouraged to investi-

gate the possibility of applying the most recent editions of the standards indicated below. Members of IEC and ISO maintain registers of currently valid International Standards.

ISO 730-1:—¹⁾, *Agricultural wheeled tractors — Rear-mounted three-point linkage — Part 1: Categories 1, 2, 3 and 4.*

ISO 2332:1993, *Agricultural tractors and machinery — Connection of implements via three-point linkage — Clearance zone around implement.*

3 Principle of bar coupler

A bar coupler system is a two-phase implement coupler where the three-point linkage of the tractor is fitted with a crossbar between the lower hitch points, and the implement has the provision to be picked up by the bar (see figure 1).

4 Dimensions

Dimensions shall comply with figures 2 and 3, and table 1. For the three-point linkage clearances, see ISO 2332.

5 Locking device

A locking device with a positive latch shall be provided to prevent unintentional separation of the implement (see figure 1).

1) To be published. (Revision and combination of ISO 730-1:1990 and ISO 730-3:1982)

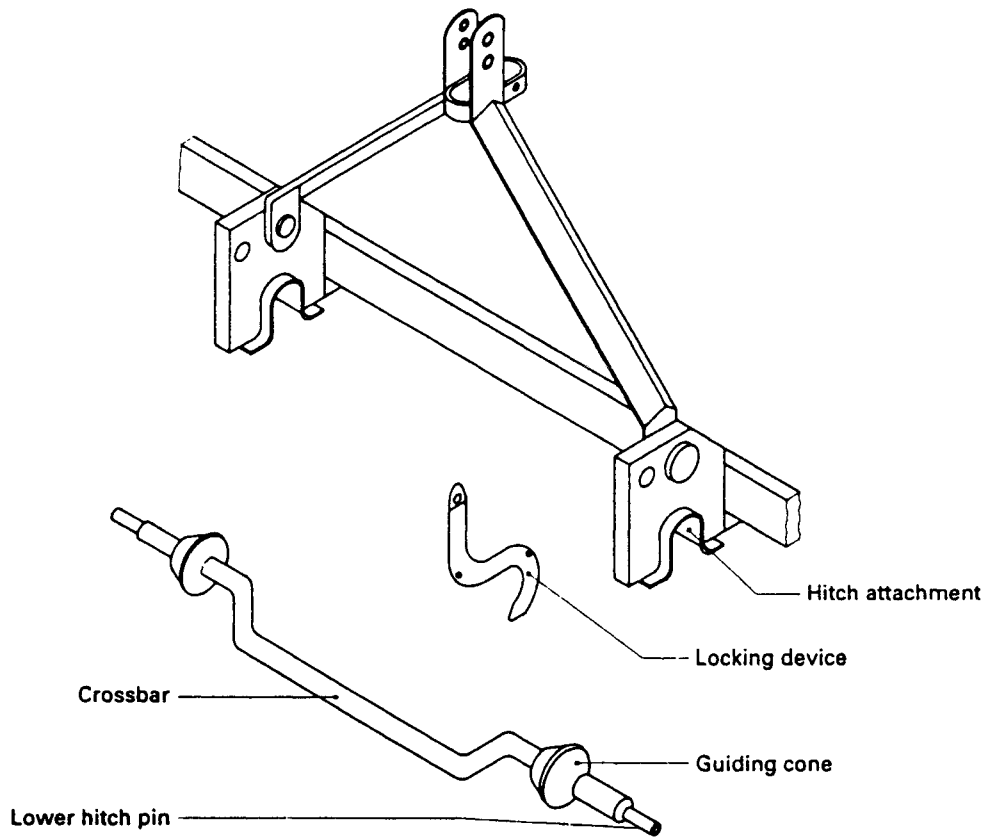


Figure 1 — Principle of bar coupler

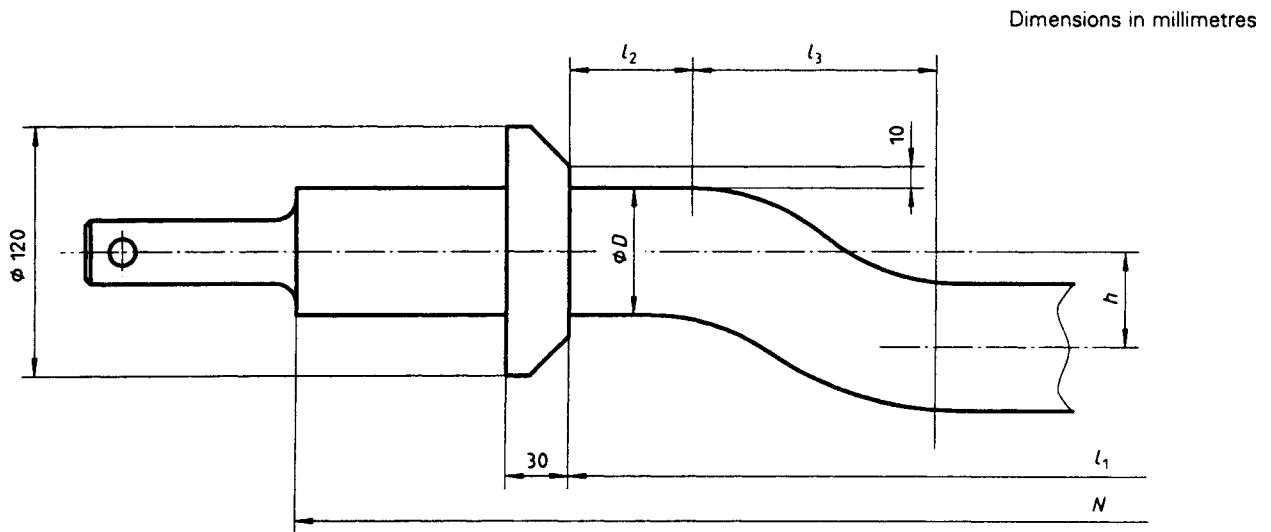


Figure 2 — Crossbar dimensions