

SVENSK STANDARD

SS-EN 1253-2:2015

Fastställt/Approved: 2015-01-25
Publicerad/Published: 2015-01-28
Utgåva/Edition: 3
Språk/Language: engelska/English
ICS: 91.140.80

Avlopp – Brunnar för byggnader – Del 2: Takbrunnar och golvbrunnar utan luktlås

Gullies for buildings – Part 2: Roof drains and floor gullies without trap

This preview is downloaded from www.sis.se. Buy the entire standard via <https://www.sis.se/std-105304>

Standarder får världen att fungera

SIS (Swedish Standards Institute) är en fristående ideell förening med medlemmar från både privat och offentlig sektor. Vi är en del av det europeiska och globala nätverk som utarbetar internationella standarder. Standarder är dokumenterad kunskap utvecklad av framstående aktörer inom industri, näringsliv och samhälle och befrämjar handel över gränser, bidrar till att processer och produkter blir säkrare samt effektiviserar din verksamhet.

Delta och påverka

Som medlem i SIS har du möjlighet att påverka framtida standarder inom ditt område på nationell, europeisk och global nivå. Du får samtidigt tillgång till tidig information om utvecklingen inom din bransch.

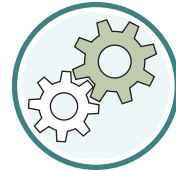
Ta del av det färdiga arbetet

Vi erbjuder våra kunder allt som rör standarder och deras tillämpning. Hos oss kan du köpa alla publikationer du behöver – allt från enskilda standarder, tekniska rapporter och standardpaket till handböcker och onlinetjänster. Genom vår webbtjänst e-nav får du tillgång till ett lättnavigerat bibliotek där alla standarder som är aktuella för ditt företag finns tillgängliga. Standarder och handböcker är källor till kunskap. Vi säljer dem.

Utveckla din kompetens och lyckas bättre i ditt arbete

Hos SIS kan du gå öppna eller företagsinterna utbildningar kring innehåll och tillämpning av standarder. Genom vår närhet till den internationella utvecklingen och ISO får du rätt kunskap i rätt tid, direkt från källan. Med vår kunskap om standarders möjligheter hjälper vi våra kunder att skapa verklig nytta och lönsamhet i sina verksamheter.

Vill du veta mer om SIS eller hur standarder kan effektivisera din verksamhet är du välkommen in på www.sis.se eller ta kontakt med oss på tel 08-555 523 00.



Standards make the world go round

SIS (Swedish Standards Institute) is an independent non-profit organisation with members from both the private and public sectors. We are part of the European and global network that draws up international standards. Standards consist of documented knowledge developed by prominent actors within the industry, business world and society. They promote cross-border trade, they help to make processes and products safer and they streamline your organisation.

Take part and have influence

As a member of SIS you will have the possibility to participate in standardization activities on national, European and global level. The membership in SIS will give you the opportunity to influence future standards and gain access to early stage information about developments within your field.

Get to know the finished work

We offer our customers everything in connection with standards and their application. You can purchase all the publications you need from us - everything from individual standards, technical reports and standard packages through to manuals and online services. Our web service e-nav gives you access to an easy-to-navigate library where all standards that are relevant to your company are available. Standards and manuals are sources of knowledge. We sell them.

Increase understanding and improve perception

With SIS you can undergo either shared or in-house training in the content and application of standards. Thanks to our proximity to international development and ISO you receive the right knowledge at the right time, direct from the source. With our knowledge about the potential of standards, we assist our customers in creating tangible benefit and profitability in their organisations.

If you want to know more about SIS, or how standards can streamline your organisation, please visit www.sis.se or contact us on phone +46 (0)8-555 523 00



Europastandarden EN 1253-2:2015 gäller som svensk standard. Detta dokument innehåller den officiella engelska versionen av EN 1253-2:2015.

Denna standard ersätter SS-EN 1253-1, utgåva 2 och SS-EN 1253-2:2004, utgåva 2.

The European Standard EN 1253-2:2015 has the status of a Swedish Standard. This document contains the official version of EN 1253-2:2015.

This standard supersedes the Swedish Standard SS-EN 1253-1, edition 2 and SS-EN 1253-2:2004, edition 2.

© Copyright/Upphovsrätten till denna produkt tillhör SIS, Swedish Standards Institute, Stockholm, Sverige. Användningen av denna produkt regleras av slutanvändarlicensen som återfinns i denna produkt, se standardens sista sidor.

© Copyright SIS, Swedish Standards Institute, Stockholm, Sweden. All rights reserved. The use of this product is governed by the end-user licence for this product. You will find the licence in the end of this document.

Uppllysningar om sakinnehållet i standarden lämnas av SIS, Swedish Standards Institute, telefon 08-555 520 00. Standarder kan beställas hos SIS Förlag AB som även lämnar allmänna uppllysningar om svensk och utländsk standard.

Information about the content of the standard is available from the Swedish Standards Institute (SIS), telephone +46 8 555 520 00. Standards may be ordered from SIS Förlag AB, who can also provide general information about Swedish and foreign standards.

Denna standard är framtagen av kommittén för Avloppsteknik, SIS/TK 198/AG 165.

Har du synpunkter på innehållet i den här standarden, vill du delta i ett kommande revideringsarbete eller vara med och ta fram andra standarder inom området? Gå in på www.sis.se - där hittar du mer information.

EUROPEAN STANDARD

EN 1253-2

NORME EUROPÉENNE

EUROPÄISCHE NORM

January 2015

ICS 91.140.80

Supersedes EN 1253-1:2003, EN 1253-2:2003

English Version

Gullies for buildings - Part 2: Roof drains and floor gullies without trap

Avaloirs et siphons pour bâtiments - Partie 2 : Avaloirs de toiture et avaloirs/siphons de sol sans garde d'eau

Abläufe für Gebäude - Teil 2: Dachabläufe und Bodenabläufe ohne Geruchverschluss

This European Standard was approved by CEN on 22 November 2014.

CEN members are bound to comply with the CEN/CENELEC Internal Regulations which stipulate the conditions for giving this European Standard the status of a national standard without any alteration. Up-to-date lists and bibliographical references concerning such national standards may be obtained on application to the CEN-CENELEC Management Centre or to any CEN member.

This European Standard exists in three official versions (English, French, German). A version in any other language made by translation under the responsibility of a CEN member into its own language and notified to the CEN-CENELEC Management Centre has the same status as the official versions.

CEN members are the national standards bodies of Austria, Belgium, Bulgaria, Croatia, Cyprus, Czech Republic, Denmark, Estonia, Finland, Former Yugoslav Republic of Macedonia, France, Germany, Greece, Hungary, Iceland, Ireland, Italy, Latvia, Lithuania, Luxembourg, Malta, Netherlands, Norway, Poland, Portugal, Romania, Slovakia, Slovenia, Spain, Sweden, Switzerland, Turkey and United Kingdom.



EUROPEAN COMMITTEE FOR STANDARDIZATION
COMITÉ EUROPÉEN DE NORMALISATION
EUROPÄISCHES KOMITEE FÜR NORMUNG

CEN-CENELEC Management Centre: Avenue Marnix 17, B-1000 Brussels

Contents	Page
Foreword	3
1 Scope	4
2 Normative references	4
3 Terms and definitions	4
4 Requirements	9
4.1 Design and construction	9
4.2 Places of installation	10
4.3 Materials	11
4.4 Watertightness	11
4.5 Mechanical strength	11
4.6 Flow rates	11
4.7 Additional requirements in relation to the installation	13
5 Test methods	15
5.1 Dimensions of apertures in gratings	15
5.2 Water tightness for roof drain and floor gully bodies and extensions	15
5.3 Loading test	15
5.4 Mechanical strength	19
5.5 Flow rates	20
5.6 Tightness of roof drains and floor gullies for use with sheet floor coverings, membranes or liquid applied membranes	30
5.7 Behaviour when exposed to hot bitumen or asphalt	31
5.8 Determination of resistance in climatic influences	31
5.9 Temperature cycling test	32
6 Allocation and sequence of tests	32
7 Marking	32
8 Evaluation of conformity	33
Annex A (normative) Sequence of the tests	34
Annex B (informative) A-deviation	35
Bibliography	36

Foreword

This document (EN 1253-2:2015) has been prepared by Technical Committee CEN/TC 165 "Waste water engineering", the secretariat of which is held by DIN.

This European Standard shall be given the status of a national standard, either by publication of an identical text or by endorsement, at the latest by July 2015 and conflicting national standards shall be withdrawn at the latest by July 2015.

Attention is drawn to the possibility that some of the elements of this document may be the subject of patent rights. CEN [and/or CENELEC] shall not be held responsible for identifying any or all such patent rights.

This document, together with EN 1253-1:2015, supersedes EN 1253-1:2003 and EN 1253-2:2003.

This is the second part in EN 1253, a series of standards relating to floor gullies, roof drains and access covers for drainage systems inside buildings. The EN 1253 series under the main title *Gullies for buildings* will actually consist of the following parts:

- *Part 1: Trapped floor gullies with a depth of water seal of at least 50 mm;*
- *Part 2: Roof drains and floor gullies without trap;*
- *Part 3: Evaluation of conformity;*
- *Part 4: Access covers;*
- *Part 5: Gullies with light liquids closure.*

Since the latest versions of EN 1253-1 and EN 1253-2 the most significant technical changes are the following:

- a) reduction of scope on roof outlets and floor gullies without trap including parapet and emergency drains for use in gravity and siphonic drainage systems;
- b) more definitive description of products;
- c) modification of terms and definitions;
- d) precision in definition of places of installation;
- e) consideration of liquid applied membranes as connecting components;
- f) precision of test conditions for flow rate testing for different types of products;
- g) revision of loading test concerning test loads, loading speed as well as shape, size and point of impact of test blocks in dependence on different configuration of gratings;
- h) introduction of classification of products concerning their temperature cycling behavior according to number of hot/cold water cycles.

According to the CEN-CENELEC Internal Regulations, the national standards organizations of the following countries are bound to implement this European Standard: Austria, Belgium, Bulgaria, Croatia, Cyprus, Czech Republic, Denmark, Estonia, Finland, Former Yugoslav Republic of Macedonia, France, Germany, Greece, Hungary, Iceland, Ireland, Italy, Latvia, Lithuania, Luxembourg, Malta, Netherlands, Norway, Poland, Portugal, Romania, Slovakia, Slovenia, Spain, Sweden, Switzerland, Turkey and the United Kingdom.

SS-EN 1253-2:2015 (E)

1 Scope

This European Standard classifies roof drains and floor gullies without trap for use inside buildings, gives guidance for places of installation and specifies requirements for the construction, design, performance and marking as well as test methods of factory made roof drains and floor gullies without trap (further: floor gullies) for buildings, irrespective of the material for use in drainage systems.

Although normally used to convey rainwater and wastewater, these roof drains and floor gullies without trap may convey other wastewater provided there is no risk of damage to components or of injury to health.

This European Standard does not apply to trapped floor gullies with a depth of water seal of at least 50 mm as specified in EN 1253-1.

2 Normative references

The following documents, in whole or in part, are normatively referenced in this document and are indispensable for its application. For dated references, only the edition cited applies. For undated references, the latest edition of the referenced document (including any amendments) applies.

EN 124, *Gully tops and manhole tops for vehicular and pedestrian areas — Design requirements, type testing, marking, quality control*

EN 476, *General requirements for components used in drains and sewers*

EN 1253-3, *Gullies for buildings — Part 3: Evaluation of conformity*

3 Terms and definitions

For the purposes of this document, the following terms and definitions apply.

3.1
roof drain
non-trapped discharge fitting for the drainage of surface water from roof, balcony and terrace surfaces via a rainwater connecting pipe

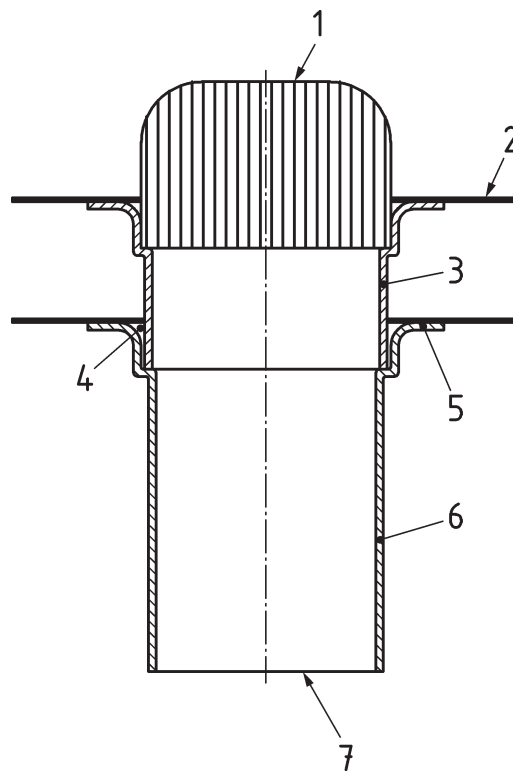
Note 1 to entry: See Figure 1.

Note 2 to entry: A roof drain can include an anti-vortex device.

3.2
parapet drain
roof drain for the drainage of flat roofs and roof terraces with a fascia which penetrates the fascia

Note 1 to entry: See Figure 2.

3.3
emergency drain
roof drain for emergency drainage in the form of a roof, parapet or gutter outlet with or without a rainwater connection pipe

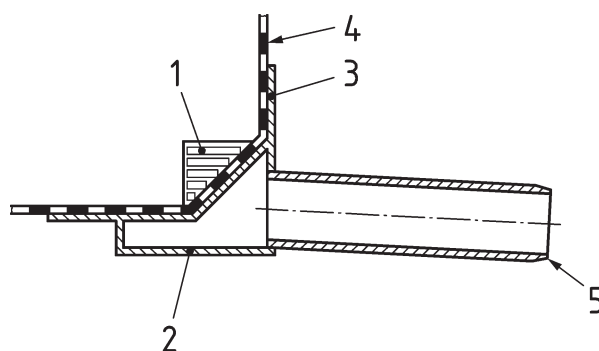


Key

- 1 grating/frame, leaf/gravel trap
- 2 liquid applied roof waterproofing kit or flexible sheet for waterproofing
- 3 extension
- 4 seal
- 5 connecting flange
- 6 body
- 7 outlet

Figure 1 — Roof drain (example)

SS-EN 1253-2:2015 (E)



Key

- 1 grating
- 2 body
- 3 connecting flange
- 4 liquid applied roof waterproofing kit or flexible sheet for waterproofing
- 5 outlet (round or rectangular)

Figure 2 — Parapet drain (example)

3.4

gravity drainage system

system where flow is caused by gravity and where the pipe normally operates partially full

3.5

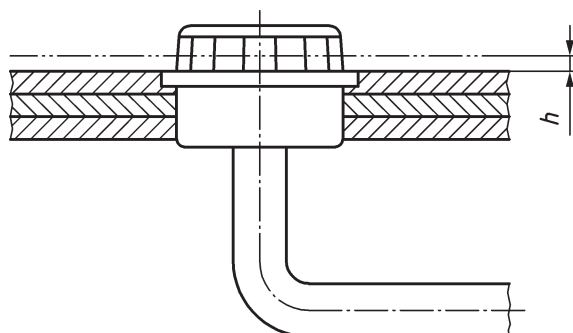
siphonic drainage system

system for drainage of rainwater in which the outlets and pipework enable the system to flow completely full under design conditions and make use of the total height available between the outlets and the point of change to partially filled flow

3.6

head of water

depth h of a water line over the spill edge of the roof drain or floor gully as shown in Figure 3



Key

- h head of water

Figure 3 — Head of water

3.7

grating

removable component with apertures which permit the discharge of water

3.8

frame

support for a grating or cover which is connected to a body either directly or by means of a flexible sheet for waterproofing clamping ring or an extension

3.9

cover

removable part of an access cover which covers the opening

3.10

body

part of a roof drain or floor gully below or in the floor, ground or roof on which the grating/frame/extension is mounted, and to which the pipework is connected

3.11

extension

component used to adjust the height of a grating or cover above a body

3.12

joint

connection between the adjacent ends of two components including the means of sealing

3.13

flexible sheet for waterproofing clamping ring

component used to clamp a flexible sheet for waterproofing to a body or extension

3.14

connecting flange

separate or an integral part of a body or of an extension which receives a flexible sheet for waterproofing or the liquid applied roof waterproofing kit

3.15

external diameter

OD

mean external diameter of the pipe barrel at any cross section

3.16

internal diameter

ID

mean internal diameter of the pipe barrel at any cross section

3.17

liquid applied roof waterproofing kit

LARWK

particular combination of a defined set of components to be installed in liquid form for roof waterproofing by application and/or incorporation and/or joining of the components in accordance with particular design methods

Note 1 to entry: The liquid applied watertight covering is usually a paste-like composite material or a combination of separate materials that can be poured, spread or sprayed on the subsurface by brush, roller or similar suitable applicator.

3.18

flexible sheet for waterproofing

factory made sheet for prevention of passage of water from the plane to another which can be rolled up or folded for easy transport to the site