

# SVENSK STANDARD

## SS-EN 16430-2:2014



Fastställt/Approved: 2014-12-21  
Publicerad/Published: 2015-01-09  
Utgåva/Edition: 1  
Språk/Language: engelska/English  
ICS: 91.140.10

---

### **Fan assisted radiators, convectors and trench convectors – Part 2: Test method and rating for thermal output**

This preview is downloaded from [www.sis.se](http://www.sis.se). Buy the entire standard via <https://www.sis.se/std-104933>

# Standarder får världen att fungera

*SIS (Swedish Standards Institute) är en fristående ideell förening med medlemmar från både privat och offentlig sektor. Vi är en del av det europeiska och globala nätverk som utarbetar internationella standarder. Standarder är dokumenterad kunskap utvecklad av framstående aktörer inom industri, näringsliv och samhälle och befrämjar handel över gränser, bidrar till att processer och produkter blir säkrare samt effektiviserar din verksamhet.*

## Delta och påverka

Som medlem i SIS har du möjlighet att påverka framtida standarder inom ditt område på nationell, europeisk och global nivå. Du får samtidigt tillgång till tidig information om utvecklingen inom din bransch.

## Ta del av det färdiga arbetet

Vi erbjuder våra kunder allt som rör standarder och deras tillämpning. Hos oss kan du köpa alla publikationer du behöver – allt från enskilda standarder, tekniska rapporter och standardpaket till handböcker och onlinetjänster. Genom vår webbtjänst e-nav får du tillgång till ett lättnavigerat bibliotek där alla standarder som är aktuella för ditt företag finns tillgängliga. Standarder och handböcker är källor till kunskap. Vi säljer dem.

## Utveckla din kompetens och lyckas bättre i ditt arbete

Hos SIS kan du gå öppna eller företagsinterna utbildningar kring innehåll och tillämpning av standarder. Genom vår närhet till den internationella utvecklingen och ISO får du rätt kunskap i rätt tid, direkt från källan. Med vår kunskap om standarders möjligheter hjälper vi våra kunder att skapa verklig nytta och lönsamhet i sina verksamheter.

**Vill du veta mer om SIS eller hur standarder kan effektivisera din verksamhet är du välkommen in på [www.sis.se](http://www.sis.se) eller ta kontakt med oss på tel 08-555 523 00.**



# Standards make the world go round

*SIS (Swedish Standards Institute) is an independent non-profit organisation with members from both the private and public sectors. We are part of the European and global network that draws up international standards. Standards consist of documented knowledge developed by prominent actors within the industry, business world and society. They promote cross-border trade, they help to make processes and products safer and they streamline your organisation.*

## Take part and have influence

As a member of SIS you will have the possibility to participate in standardization activities on national, European and global level. The membership in SIS will give you the opportunity to influence future standards and gain access to early stage information about developments within your field.

## Get to know the finished work

We offer our customers everything in connection with standards and their application. You can purchase all the publications you need from us - everything from individual standards, technical reports and standard packages through to manuals and online services. Our web service e-nav gives you access to an easy-to-navigate library where all standards that are relevant to your company are available. Standards and manuals are sources of knowledge. We sell them.

## Increase understanding and improve perception

With SIS you can undergo either shared or in-house training in the content and application of standards. Thanks to our proximity to international development and ISO you receive the right knowledge at the right time, direct from the source. With our knowledge about the potential of standards, we assist our customers in creating tangible benefit and profitability in their organisations.

**If you want to know more about SIS, or how standards can streamline your organisation, please visit [www.sis.se](http://www.sis.se) or contact us on phone +46 (0)8-555 523 00**



Europastandarden EN 16430-2:2014 gäller som svensk standard. Detta dokument innehåller den officiella engelska versionen av EN 16430-2:2014.

The European Standard EN 16430-2:2014 has the status of a Swedish Standard. This document contains the official version of EN 16430-2:2014.

© Copyright/Upphovsrätten till denna produkt tillhör SIS, Swedish Standards Institute, Stockholm, Sverige. Användningen av denna produkt regleras av slutanvändarlicensen som återfinns i denna produkt, se standardens sista sidor.

© Copyright SIS, Swedish Standards Institute, Stockholm, Sweden. All rights reserved. The use of this product is governed by the end-user licence for this product. You will find the licence in the end of this document.

*Upplysningar om sakinnehållet i standarden lämnas av SIS, Swedish Standards Institute, telefon 08-555 520 00. Standarder kan beställas hos SIS Förlag AB som även lämnar allmänna upplysningar om svensk och utländsk standard.*

*Information about the content of the standard is available from the Swedish Standards Institute (SIS), telephone +46 8 555 520 00. Standards may be ordered from SIS Förlag AB, who can also provide general information about Swedish and foreign standards.*

Har du synpunkter på innehållet i den här standarden, vill du delta i ett kommande revideringsarbete eller vara med och ta fram andra standarder inom området? Gå in på [www.sis.se](http://www.sis.se) - där hittar du mer information.



EUROPEAN STANDARD

**EN 16430-2**

NORME EUROPÉENNE

EUROPÄISCHE NORM

December 2014

ICS 91.140.10

English Version

## Fan assisted radiators, convectors and trench convectors - Part 2: Test method and rating for thermal output

Radiateurs assistés par ventilateur, convecteurs et  
convecteurs de caniveaux - Partie 2: Méthode d'essais et  
d'évaluation de la puissance thermique

Gebläseunterstützte Heizkörper, Konvektoren und  
Unterflurkonvektoren - Teil 2: Prüfverfahren und Bewertung  
der Wärmeleistung

This European Standard was approved by CEN on 9 November 2014.

CEN members are bound to comply with the CEN/CENELEC Internal Regulations which stipulate the conditions for giving this European Standard the status of a national standard without any alteration. Up-to-date lists and bibliographical references concerning such national standards may be obtained on application to the CEN-CENELEC Management Centre or to any CEN member.

This European Standard exists in three official versions (English, French, German). A version in any other language made by translation under the responsibility of a CEN member into its own language and notified to the CEN-CENELEC Management Centre has the same status as the official versions.

CEN members are the national standards bodies of Austria, Belgium, Bulgaria, Croatia, Cyprus, Czech Republic, Denmark, Estonia, Finland, Former Yugoslav Republic of Macedonia, France, Germany, Greece, Hungary, Iceland, Ireland, Italy, Latvia, Lithuania, Luxembourg, Malta, Netherlands, Norway, Poland, Portugal, Romania, Slovakia, Slovenia, Spain, Sweden, Switzerland, Turkey and United Kingdom.



EUROPEAN COMMITTEE FOR STANDARDIZATION  
COMITÉ EUROPÉEN DE NORMALISATION  
EUROPÄISCHES KOMITEE FÜR NORMUNG

**CEN-CENELEC Management Centre: Avenue Marnix 17, B-1000 Brussels**

<b>Contents</b>	<b>Page</b>
Foreword.....	3
<b>1 Scope .....</b>	<b>4</b>
<b>2 Normative references .....</b>	<b>4</b>
<b>3 Terms and definitions .....</b>	<b>4</b>
<b>4 Radiators and convectors with fan(s) and trench convectors with and without fan(s) .....</b>	<b>5</b>
4.1 Preparation of the closed test room .....	5
4.1.1 Trench convectors.....	5
4.1.2 Fan assisted radiators and wall mounted convectors.....	6
4.2 Test procedure .....	7
4.2.1 Scope of testing.....	7
4.2.2 Determination of the thermal output.....	7
4.3 Test report .....	12
<b>5 Ventilation radiators and trench convectors .....</b>	<b>13</b>
5.1 Design .....	13
5.1.1 Wall mounted radiators.....	13
5.1.2 Trench convectors.....	13
5.2 Thermal output testing for ventilation radiators and trench convectors.....	14
5.3 Test facilities .....	15
5.3.1 General.....	15
5.3.2 Ventilation facility .....	17
5.4 Test method.....	18
5.5 Test.....	18
5.5.1 General.....	18
5.5.2 Test structure .....	18
5.5.3 Selection of heating appliances to be tested.....	18
5.5.4 Standard reference point and standard water flow rate .....	18
5.5.5 Test temperatures and test scope .....	19
5.5.6 Steady state conditions .....	19
5.5.7 Correction due to the air pressure.....	20
5.5.8 Test results – characteristic curves field .....	20
5.5.9 Standard thermal output .....	21
5.6 Test report .....	23
5.6.1 General.....	23
5.6.2 Data .....	23

## Foreword

This document (EN 16430-2:2014) has been prepared by Technical Committee CEN/TC 130 "Space heating appliances without integral heat sources", the secretariat of which is held by UNI.

This European Standard shall be given the status of a national standard, either by publication of an identical text or by endorsement, at the latest by June 2015 and conflicting national standards shall be withdrawn at the latest by June 2015.

Attention is drawn to the possibility that some of the elements of this document may be the subject of patent rights. CEN [and/or CENELEC] shall not be held responsible for identifying any or all such patent rights.

The European Standard "Fan assisted radiators, convectors and trench convectors" consists of the following parts:

- Part 1: Technical specifications and requirements
- Part 2: Test method and rating for thermal output
- Part 3: Test method and rating for cooling capacity

According to the CEN-CENELEC Internal Regulations, the national standards organizations of the following countries are bound to implement this European Standard: Austria, Belgium, Bulgaria, Croatia, Cyprus, Czech Republic, Denmark, Estonia, Finland, Former Yugoslav Republic of Macedonia, France, Germany, Greece, Hungary, Iceland, Ireland, Italy, Latvia, Lithuania, Luxembourg, Malta, Netherlands, Norway, Poland, Portugal, Romania, Slovakia, Slovenia, Spain, Sweden, Switzerland, Turkey and the United Kingdom.

## SS-EN 16430-2:2014 (E)

### 1 Scope

This European Standard applies to the thermal output testing of fan assisted radiators, convectors and trench convectors which are factory assembled or kits, i.e.

- fan assisted radiators and convectors, provided the heater has a dedicated fan or fans;
- trench convectors with and without fan(s), provided the heater and the fan(s) are dedicated;
- ventilation radiators and convectors.

### 2 Normative references

The following documents, in whole or in part, are normatively referenced in this document and are indispensable for its application. For dated references, only the edition cited applies. For undated references, the latest edition of the referenced document (including any amendments) applies.

EN 442-2, *Radiators and convectors - Part 2: Test methods and rating*

EN 636, *Plywood - Specifications*

EN ISO/IEC 17025, *General requirements for the competence of testing and calibration laboratories (ISO/IEC 17025)*

### 3 Terms and definitions

For the purposes of this document the terms and definitions given in EN 442-2 and the following apply.

**3.1 trench convectors**  
convectors installed in a trench in the floor mostly in front of glass facades, including the covering of the trench

**3.2 fan assisted radiators and convectors**  
radiators and convectors according to EN 442-2 and trench convectors according to 3.1 equipped with fans to increase the convective thermal output/ cooling capacity of the radiator, convector or trench convector

**3.3 ventilation radiators and convectors**  
radiators or convectors, which, apart from heating rooms normally, also heat the incoming air (outside air)

Note 1 to entry: In this context, the air is led directly to the radiator and, once heated by the radiator, fed to the room. The controlled air feed is performed mechanically, either using a fan in the primary air system or through an exhaust air system.

**3.4 primary air unit**  
unit connected to the radiator, convector or trench convector which supplies primary air to the room, preheated or pre-cooled by the radiator, convector or trench convector

**3.5 basic units**  
regularly repeated sections of the radiator/convector equipped with fans

**3.6 extension units**  
parts of the fan assisted radiator/convector in addition to the basic units which are not equipped with a fan



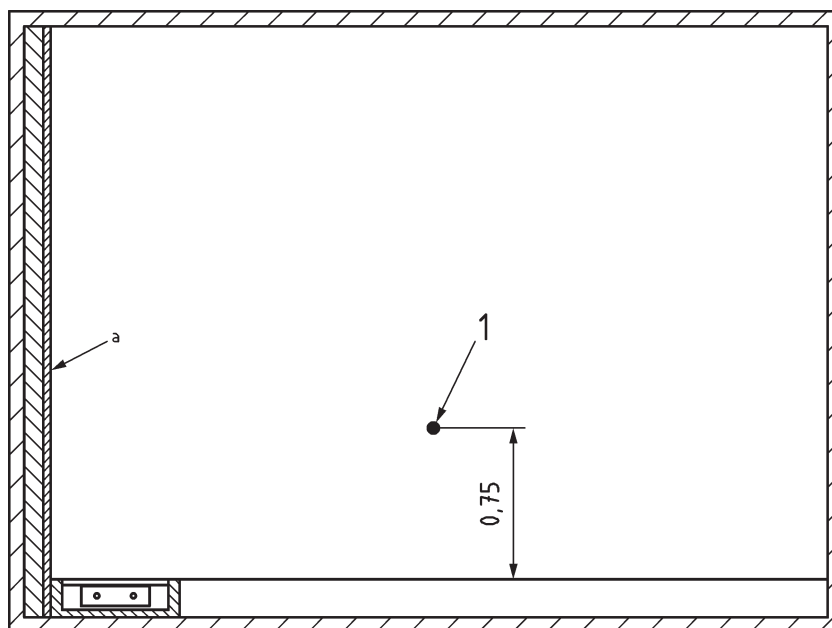
## 4 Radiators and convectors with fan(s) and trench convectors with and without fan(s)

### 4.1 Preparation of the closed test room

#### 4.1.1 Trench convectors

The back wall of the test room shall be cooled to a surface temperature of  $16\text{ °C} \pm 0,5\text{ K}$  during the test (see Figure 1). This can be done either by the back wall itself or by a flat cooling surface (emission coefficient has to be at least 0,9) covering the whole width and height of the room placed in front of the back wall of the closed test room in accordance with EN 442-2. The space between the cooling plate and the booth back wall shall be closed off to prevent air from flowing through.

Dimensions in metres



#### Key

- a cooling surface, temperature  $16\text{ °C} \pm 0,5\text{ K}$
- 1 reference air temperature  $t_r$

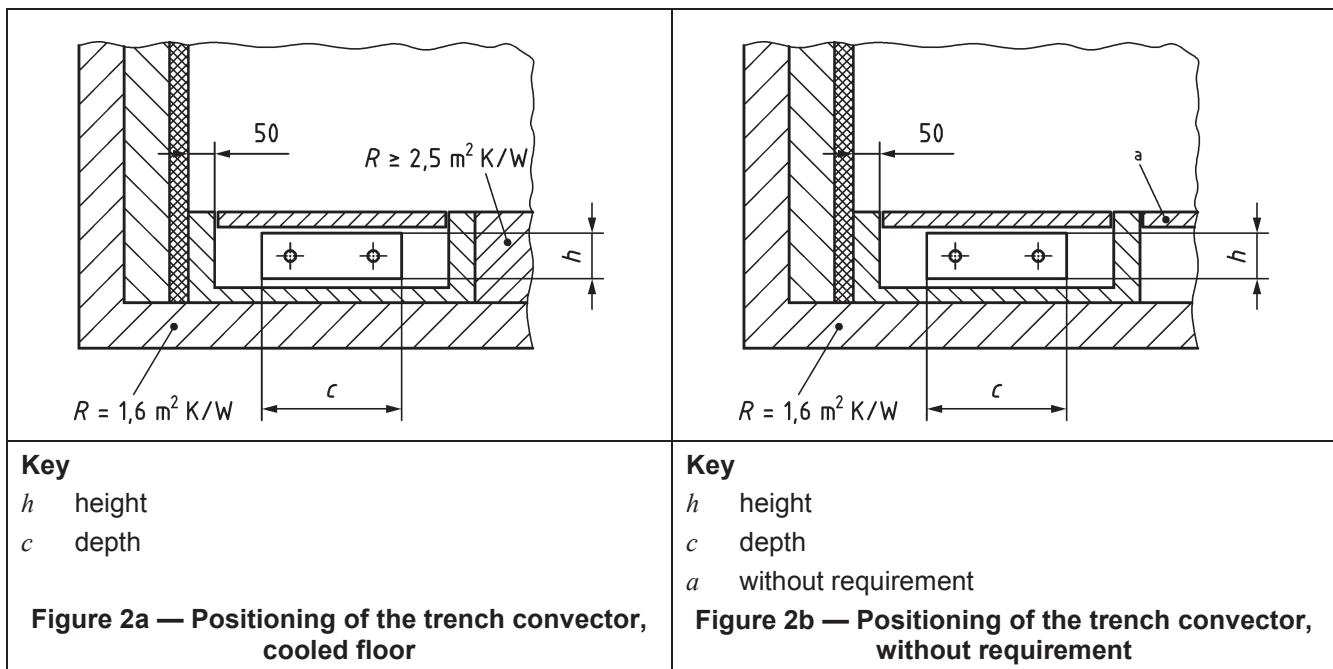
**Figure 1 — Positioning of the cooling surface in the test room**

The trench convector with its associated trench and the intended covering is installed in the booth floor in front of this cooling surface, flush with the finished floor level, in accordance with the manufacturer's instructions. Unless other dimensions have been given by the manufacturer, the distance between the trench and the cooled back wall shall be 0,05 m (see Figure 2). For the purposes of the test, the trench in itself is covered with a thermal insulation shown in Figure 2 which has a thermal resistance of at least  $R = 1,0\text{ m}^2\text{K/W}$ .

If the floor of the test booth is cooled then the floor has to have a thermal resistance of at least  $R = 2,5\text{ m}^2\text{K/W}$ .

If the floor of the test booth is not cooled then there is no requirement for such a thermal resistance.

Dimensions in millimetres



If it is possible to allocate the models to a certain type with a characteristic size (e. g. height of the convector and/or height of the casing) whose changes point to the fact that a continuous dependence of the thermal output can be expected, the smallest and the largest sizes each and so many intermediate sizes shall be tested that a ratio of 1:2 is not exceeded.

In the case of trench convectors without fan(s) the convector length to be tested (finned length) should be 2 m; if that length is not available, the next available length > 2 m shall be tested. The length of the sample under test shall be adapted if the requirements for either the minimum or maximum thermal output according to 4.2.1 are not fulfilled.

In the case of finned tube convectors, a finned length of 1 m is assumed as the module. In the case of trench convectors with fan(s) the convector length to be tested (finned length) should be at least 1 m, if that length is not available, the next available length > 1 m shall be tested. The length of the sample under test shall be adapted if the requirements for either the minimum or maximum thermal output according to 4.2.1 are not fulfilled.

The convector as such is installed in the trench, applying the manufacturer's fixing material, spacers, covering, etc. and following the manufacturer's instructions. The testing application shall be accompanied by drawings showing the dimensions of the trench and the convector as well as the convector's positioning in the trench and the design of the covering.

**4.1.2 Fan assisted radiators and wall mounted convectors**

Radiators and wall mounted convectors shall be installed according to EN 442-2. Unless other dimensions have been given by the manufacturer, the distance between the radiator / convector and the back wall of the test room shall be 0,05 m, the distance between the radiator / convector and the floor of the test room shall be 0,11 m.

If it is possible to allocate the models to a certain type with a characteristic size (e. g. height) whose changes point to the fact that a continuous dependence of the thermal output can be expected, the smallest and the largest sizes each and so many intermediate sizes shall be tested that a ratio of 1:2 is not exceeded.

In the case of radiators / convectors the length of the sample to be tested (in case of convectors: finned length) should be 1 m, if that length is not available, the next available length > 1 m shall be tested. The length

of the sample under test shall be adapted if the requirements for either the minimum or maximum thermal output according to 4.2.1 are not fulfilled.

The radiator / convector as such is installed in the test room, applying the manufacturer's fixing material, spacers, covering, etc., and following the manufacturer's instructions. The testing application shall be accompanied by drawings showing the dimensions of the trench and the convector as well as the radiator's / convector's positioning in the test room and the design of the covering.

## 4.2 Test procedure

### 4.2.1 Scope of testing

The selection of the samples and the scope of testing shall be to specifications analogous to EN 442-2.

The standard heating output is to be determined at different water flow rates with the following limitations:

Thermal output: min. 200 W; max. 3 500 W (according at standard conditions).

### 4.2.2 Determination of the thermal output

#### 4.2.2.1 General

The procedure of the test and the determination of the thermal output are performed in accordance with EN 442-2. EN 442-2, applies analogously with regard to the requirements for measuring instruments.

Here, a characteristic formula:

$$\Phi = K_m \cdot \Delta T^n \quad (1)$$

Where:

- $\Phi$  is the thermal output
- $K_m$  is the constant of the model
- $\Delta T$  is the excess temperature
- n is the exponent

shall be determined on the basis of at least three measuring points, at a constant water flow rate and excess temperatures of

$$\Delta T = (60 \pm 2,5) \text{ K};$$

$$\Delta T = (50 \pm 2,5) \text{ K};$$

$$\Delta T = (30 \pm 2,5) \text{ K}.$$

The standard rated thermal output results at  $\Delta T = 50 \text{ K}$ .

Inlet water temperature  $t_1$ : 75 °C;

Outlet water temperature  $t_2$ : 65 °C;

Reference air temperature  $t_r$ : 20 °C.

The standard low thermal output results at  $\Delta T = 30 \text{ K}$ .