

SVENSK STANDARD

SS-EN 16146:2012+A1:2014



Fastställt/Approved: 2014-11-16
Publicerad/Published: 2014-11-18
Utgåva/Edition: 1
Språk/Language: engelska/English
ICS: 91.140.70

Sanitetsarmaturer – Utdragbara duschslangar för vattenförsörjningssystem typ 1 och typ 2 – Allmänna tekniska specifikationer

Sanitary tapware – Extractable shower hoses for sanitary tapware for supply systems type 1 and type 2 – General technical specification

This preview is downloaded from www.sis.se. Buy the entire standard via <https://www.sis.se/std-104437>

Standarder får världen att fungera

SIS (Swedish Standards Institute) är en fristående ideell förening med medlemmar från både privat och offentlig sektor. Vi är en del av det europeiska och globala nätverk som utarbetar internationella standarder. Standarder är dokumenterad kunskap utvecklad av framstående aktörer inom industri, näringsliv och samhälle och befrämjar handel över gränser, bidrar till att processer och produkter blir säkrare samt effektiviserar din verksamhet.

Delta och påverka

Som medlem i SIS har du möjlighet att påverka framtida standarder inom ditt område på nationell, europeisk och global nivå. Du får samtidigt tillgång till tidig information om utvecklingen inom din bransch.

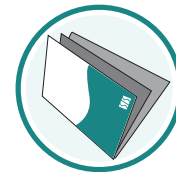
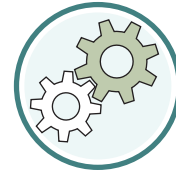
Ta del av det färdiga arbetet

Vi erbjuder våra kunder allt som rör standarder och deras tillämpning. Hos oss kan du köpa alla publikationer du behöver – allt från enskilda standarder, tekniska rapporter och standardpaket till handböcker och onlinetjänster. Genom vår webbtjänst e-nav får du tillgång till ett lättnavigerat bibliotek där alla standarder som är aktuella för ditt företag finns tillgängliga. Standarder och handböcker är källor till kunskap. Vi säljer dem.

Utveckla din kompetens och lyckas bättre i ditt arbete

Hos SIS kan du gå öppna eller företagsinterna utbildningar kring innehåll och tillämpning av standarder. Genom vår närhet till den internationella utvecklingen och ISO får du rätt kunskap i rätt tid, direkt från källan. Med vår kunskap om standarders möjligheter hjälper vi våra kunder att skapa verklig nytta och lönsamhet i sina verksamheter.

Vill du veta mer om SIS eller hur standarder kan effektivisera din verksamhet är du välkommen in på www.sis.se eller ta kontakt med oss på tel 08-555 523 00.



Standards make the world go round

SIS (Swedish Standards Institute) is an independent non-profit organisation with members from both the private and public sectors. We are part of the European and global network that draws up international standards. Standards consist of documented knowledge developed by prominent actors within the industry, business world and society. They promote cross-border trade, they help to make processes and products safer and they streamline your organisation.

Take part and have influence

As a member of SIS you will have the possibility to participate in standardization activities on national, European and global level. The membership in SIS will give you the opportunity to influence future standards and gain access to early stage information about developments within your field.

Get to know the finished work

We offer our customers everything in connection with standards and their application. You can purchase all the publications you need from us - everything from individual standards, technical reports and standard packages through to manuals and online services. Our web service e-nav gives you access to an easy-to-navigate library where all standards that are relevant to your company are available. Standards and manuals are sources of knowledge. We sell them.

Increase understanding and improve perception

With SIS you can undergo either shared or in-house training in the content and application of standards. Thanks to our proximity to international development and ISO you receive the right knowledge at the right time, direct from the source. With our knowledge about the potential of standards, we assist our customers in creating tangible benefit and profitability in their organisations.

If you want to know more about SIS, or how standards can streamline your organisation, please visit www.sis.se or contact us on phone +46 (0)8-555 523 00



Europastandarden EN 16146:2012+A1:2014 gäller som svensk standard. Detta dokument innehåller den officiella engelska versionen av EN 16146:2012+A1:2014.

Denna standard ersätter SS-EN 16146:2012, utgåva 1.

The European Standard EN 16146:2012+A1:2014 has the status of a Swedish Standard. This document contains the official version of EN 16146:2012+A1:2014.

This standard supersedes the Swedish Standard SS-EN 16146:2012, edition 1.

© Copyright/Upphovsrätten till denna produkt tillhör SIS, Swedish Standards Institute, Stockholm, Sverige. Användningen av denna produkt regleras av slutanvändarlicensen som återfinns i denna produkt, se standardens sista sidor.

© Copyright SIS, Swedish Standards Institute, Stockholm, Sweden. All rights reserved. The use of this product is governed by the end-user licence for this product. You will find the licence in the end of this document.

Upplysningar om sakinnehållet i standarden lämnas av SIS, Swedish Standards Institute, telefon 08-555 520 00. Standarder kan beställas hos SIS Förlag AB som även lämnar allmänna upplysningar om svensk och utländsk standard.

Information about the content of the standard is available from the Swedish Standards Institute (SIS), telephone +46 8 555 520 00. Standards may be ordered from SIS Förlag AB, who can also provide general information about Swedish and foreign standards.

Denna standard är framtagen av kommittén för Vattenförsörjning, SIS/TK 198/AG 164.

Har du synpunkter på innehållet i den här standarden, vill du delta i ett kommande revideringsarbete eller vara med och ta fram andra standarder inom området? Gå in på www.sis.se - där hittar du mer information.

EUROPEAN STANDARD

EN 16146:2012+A1

NORME EUROPÉENNE

EUROPÄISCHE NORM

November 2014

ICS 91.140.70

Supersedes EN 16146:2012

English Version

Sanitary tapware - Extractable shower hoses for sanitary tapware for supply systems type 1 and type 2 - General technical specification

Robinetterie sanitaire - Flexibles de douchettes extractibles pour robinetterie sanitaire pour les systèmes d'alimentation en eau de types 1 et 2 - Spécifications techniques générales

Sanitärarmaturen - Ausziehbare Brauseschläuche für Sanitärarmaturen für Wasserversorgungssysteme vom Typ 1 und Typ 2 - Allgemeine technische Spezifikation

This European Standard was approved by CEN on 10 November 2012 and includes Amendment 1 approved by CEN on 9 September 2014.

CEN members are bound to comply with the CEN/CENELEC Internal Regulations which stipulate the conditions for giving this European Standard the status of a national standard without any alteration. Up-to-date lists and bibliographical references concerning such national standards may be obtained on application to the CEN-CENELEC Management Centre or to any CEN member.

This European Standard exists in three official versions (English, French, German). A version in any other language made by translation under the responsibility of a CEN member into its own language and notified to the CEN-CENELEC Management Centre has the same status as the official versions.

CEN members are the national standards bodies of Austria, Belgium, Bulgaria, Croatia, Cyprus, Czech Republic, Denmark, Estonia, Finland, Former Yugoslav Republic of Macedonia, France, Germany, Greece, Hungary, Iceland, Ireland, Italy, Latvia, Lithuania, Luxembourg, Malta, Netherlands, Norway, Poland, Portugal, Romania, Slovakia, Slovenia, Spain, Sweden, Switzerland, Turkey and United Kingdom.



EUROPEAN COMMITTEE FOR STANDARDIZATION
COMITÉ EUROPÉEN DE NORMALISATION
EUROPÄISCHES KOMITEE FÜR NORMUNG

CEN-CENELEC Management Centre: Avenue Marnix 17, B-1000 Brussels

Contents		Page
Foreword.....		4
Introduction		5
1 Scope		6
2 Normative references		8
3 Terms and definitions		9
4 Designation		9
5 Marking		9
6 Materials		9
6.1 Chemical and hygienic requirements.....		9
6.2 Exposed surface condition and quality of coating		9
7 Dimensional characteristics		10
7.1 General.....		10
7.2 Connecting dimensions		10
7.3 Special cases		11
8 Hydraulic characteristics		11
8.1 General.....		11
8.2 Flow rate		11
8.2.1 Test method.....		11
8.2.2 Principle.....		11
8.2.3 Apparatus		12
8.2.4 Procedure		12
8.2.5 Requirements		12
9 Mechanical and leaktightness characteristics		13
9.1 General.....		13
9.2 Tensile strength		13
9.2.1 Test method.....		13
9.2.2 Principle.....		13
9.2.3 Apparatus		13
9.2.4 Procedure		14
9.2.5 Requirements		14
9.3 Flexing durability test.....		14
9.3.1 Test Method.....		14
9.3.2 Principle.....		14
9.3.3 Apparatus		14
9.3.4 Procedure		15
9.3.5 Requirement		16
9.4 Durability test		16
9.4.1 Test Method.....		16
9.4.2 Principle.....		16
9.4.3 Apparatus		16
9.4.4 Procedure		16
9.4.5 Requirement		16
9.5 Pressure resistance at elevated temperature		17
9.5.1 Test method.....		17
9.5.2 Principle.....		17
9.5.3 Apparatus		17

9.5.4	Procedure	18
9.5.5	Requirements	19
9.6	Thermal shock test	19
9.6.1	Test method	19
9.6.2	Principle	19
9.6.3	Apparatus	19
9.6.4	Procedure	20
9.6.5	Requirements	20
10	Rotary connection	20
10.1	General	20
10.2	Test Method	20
10.2.1	Principle	20
10.2.2	Apparatus	20
10.2.3	Procedure	21
10.2.4	Requirements	21
Annex A (informative)	Pressure take-off tee	22
Bibliography		25

Foreword

This document (EN 16146:2012+A1:2014) has been prepared by Technical Committee CEN/TC 164 "Water supply", the secretariat of which is held by AFNOR.

This European Standard shall be given the status of a national standard, either by publication of an identical text or by endorsement, at the latest by May 2015, and conflicting national standards shall be withdrawn at the latest by May 2015.

Attention is drawn to the possibility that some of the elements of this document may be the subject of patent rights. CEN [and/or CENELEC] shall not be held responsible for identifying any or all such patent rights.

This document includes Amendment 1 approved by CEN on 9 September 2014.

This document supersedes EN 16146:2012.

The start and finish of text introduced or altered by amendment is indicated in the text by tags A1 A1.

According to the CEN/CENELEC Internal Regulations, the national standards organisations of the following countries are bound to implement this European Standard: Austria, Belgium, Bulgaria, Croatia, Cyprus, Czech Republic, Denmark, Estonia, Finland, Former Yugoslav Republic of Macedonia, France, Germany, Greece, Hungary, Iceland, Ireland, Italy, Latvia, Lithuania, Luxembourg, Malta, Netherlands, Norway, Poland, Portugal, Romania, Slovakia, Slovenia, Spain, Sweden, Switzerland, Turkey and the United Kingdom.

Introduction

In respect of potential adverse effects on the quality of water intended for human consumption caused by the product covered by this standard, this standard provides no information as to whether the product may be used without restriction in any of the Member States of the EU or EFTA.

It should be noted that, while awaiting the adoption of verifiable European criteria, existing national regulations concerning the use and/or the characteristics of this product remain in force.

1 Scope

This European Standard applies to hoses for extractable outlets of any material intended for equipping sanitary tapware for sinks and basins. Such hoses will only be connected downstream of the obturator of the tapware. The tapware will comply with EN 200, EN 817, EN 1111, EN 1286 or EN 1287 (see [1], [2], [3], [5] and [6]).

Hoses intended to connect sanitary tapware to the water supplies are not covered by this standard.

This European Standard specifies:

- the dimensional, mechanical and hydraulic characteristics with which the hose for extractable outlets shall comply;
- the procedures for testing these characteristics.

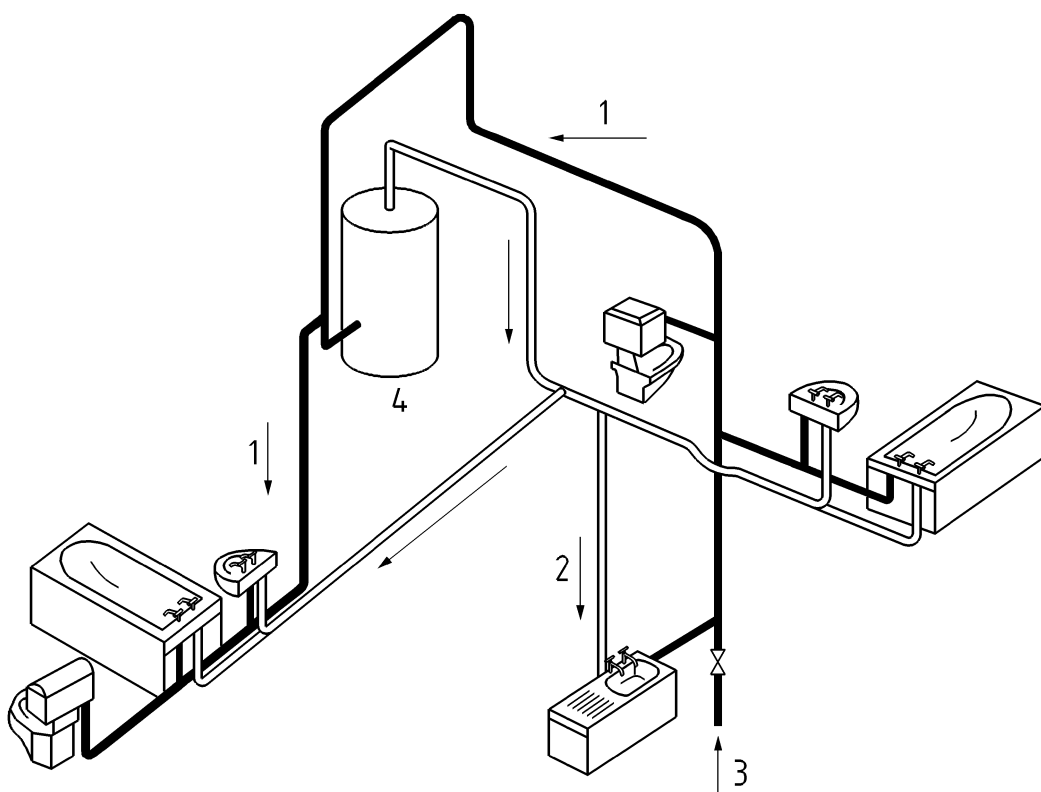
Details of pressures and temperatures are given in Table 1.

A1

Table 1 — Conditions of use/Classifications

Water supply system	Operating range of hoses for extractable outlets		Flow rates (Q) ^a
	Limits	Recommended	
Type 1 see Figure 1	<u>Dynamic Pressure</u> $0,05 \text{ MPa} \leq P \leq 0,5 \text{ MPa}$ (0,5 bar $\leq P \leq$ 5 bar)	<u>Dynamic Pressure</u> $0,1 \text{ MPa}$ to $0,3 \text{ MPa}$ (1,0 bar to 3,0 bar)	Class 1: $Q \geq 0,25 \text{ l/s}$ (15 l/min)
			Class 2: $Q \geq 0,15 \text{ l/s}$ (9 l/min)
Type 2 see Figure 2	<u>Dynamic Pressure</u> $0,01 \text{ MPa}$ to $0,2 \text{ MPa}$ (0,1 bar to 2,0 bar)	<u>Dynamic Pressure</u> $0,02 \text{ MPa}$ to $0,10 \text{ MPa}$ (0,2 bar to 1,0 bar)	Class E: $0,06 \text{ l/s} < Q < 0,18 \text{ l/s}$ (3,6 l/min $< Q <$ 10,8 l/min.)
			Class H: $0,18 \text{ l/s} \leq Q$ (10,8 l/min $\leq Q$)
Temperature	$T \leq 70^\circ\text{C}$	$T \leq 60^\circ\text{C}$	
^a See details in Table 3.			

A1



Key

- 1 cold water
- 2 hot water
- 3 mains supply pipe (Supply pressures up to 1,0 MPa (10 bar))
- 4 water heater

Figure 1 — Type 1 – Supply system - with a pressure range of 0,05 MPa to 1,0 MPa (0,5 bar to 10 bar)