

# SVENSK STANDARD

## SS-EN 14908-2:2014



Fastställt/Approved: 2014-05-07  
Publicerad/Published: 2014-05-09  
Utgåva/Edition: 2  
Språk/Language: engelska/English  
ICS: 35.200; 35.240.99; 91.140.01; 97.120

---

### **Öppen datakommunikation för byggnadsautomation, styrning och teknisk byggnadsdrift – Protokoll styr- och reglernätverk – Del 2: Kommunikation på partvinnad ledning**

### **Open Data Communication in Building Automation, Controls and Building Management – Control Network Protocol – Part 2: Twisted Pair Communication**

This preview is downloaded from [www.sis.se](http://www.sis.se). Buy the entire standard via <https://www.sis.se/std-101793>

# Standarder får världen att fungera

*SIS (Swedish Standards Institute) är en fristående ideell förening med medlemmar från både privat och offentlig sektor. Vi är en del av det europeiska och globala nätverk som utarbetar internationella standarder. Standarder är dokumenterad kunskap utvecklad av framstående aktörer inom industri, näringsliv och samhälle och befrämjar handel över gränser, bidrar till att processer och produkter blir säkrare samt effektiviserar din verksamhet.*

## Delta och påverka

Som medlem i SIS har du möjlighet att påverka framtida standarder inom ditt område på nationell, europeisk och global nivå. Du får samtidigt tillgång till tidig information om utvecklingen inom din bransch.

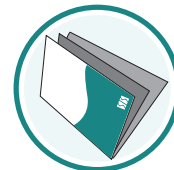
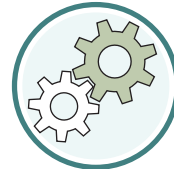
## Ta del av det färdiga arbetet

Vi erbjuder våra kunder allt som rör standarder och deras tillämpning. Hos oss kan du köpa alla publikationer du behöver – allt från enskilda standarder, tekniska rapporter och standardpaket till handböcker och onlinetjänster. Genom vår webbtjänst e-nav får du tillgång till ett lättnavigerat bibliotek där alla standarder som är aktuella för ditt företag finns tillgängliga. Standarder och handböcker är källor till kunskap. Vi säljer dem.

## Utveckla din kompetens och lyckas bättre i ditt arbete

Hos SIS kan du gå öppna eller företagsinterna utbildningar kring innehåll och tillämpning av standarder. Genom vår närhet till den internationella utvecklingen och ISO får du rätt kunskap i rätt tid, direkt från källan. Med vår kunskap om standarders möjligheter hjälper vi våra kunder att skapa verklig nytta och lönsamhet i sina verksamheter.

**Vill du veta mer om SIS eller hur standarder kan effektivisera din verksamhet är du välkommen in på [www.sis.se](http://www.sis.se) eller ta kontakt med oss på tel 08-555 523 00.**



# Standards make the world go round

*SIS (Swedish Standards Institute) is an independent non-profit organisation with members from both the private and public sectors. We are part of the European and global network that draws up international standards. Standards consist of documented knowledge developed by prominent actors within the industry, business world and society. They promote cross-border trade, they help to make processes and products safer and they streamline your organisation.*

## Take part and have influence

As a member of SIS you will have the possibility to participate in standardization activities on national, European and global level. The membership in SIS will give you the opportunity to influence future standards and gain access to early stage information about developments within your field.

## Get to know the finished work

We offer our customers everything in connection with standards and their application. You can purchase all the publications you need from us - everything from individual standards, technical reports and standard packages through to manuals and online services. Our web service e-nav gives you access to an easy-to-navigate library where all standards that are relevant to your company are available. Standards and manuals are sources of knowledge. We sell them.

## Increase understanding and improve perception

With SIS you can undergo either shared or in-house training in the content and application of standards. Thanks to our proximity to international development and ISO you receive the right knowledge at the right time, direct from the source. With our knowledge about the potential of standards, we assist our customers in creating tangible benefit and profitability in their organisations.

**If you want to know more about SIS, or how standards can streamline your organisation, please visit [www.sis.se](http://www.sis.se) or contact us on phone +46 (0)8-555 523 00**



Europastandarden EN 14908-2:2014 gäller som svensk standard. Detta dokument innehåller den officiella engelska versionen av EN 14908-2:2014.

Denna standard ersätter SS-EN 14908-2:2005, utgåva 1.

The European Standard EN 14908-2:2014 has the status of a Swedish Standard. This document contains the official version of EN 14908-2:2014.

This standard supersedes the Swedish Standard SS-EN 14908-2:2005, edition 1.

© Copyright/Upphovsrätten till denna produkt tillhör SIS, Swedish Standards Institute, Stockholm, Sverige. Användningen av denna produkt regleras av slutanvändarlicensen som återfinns i denna produkt, se standardens sista sidor.

© Copyright SIS, Swedish Standards Institute, Stockholm, Sweden. All rights reserved. The use of this product is governed by the end-user licence for this product. You will find the licence in the end of this document.

*Uppllysningar om sakinnehållet i standarden lämnas av SIS, Swedish Standards Institute, telefon 08-555 520 00. Standarder kan beställas hos SIS Förlag AB som även lämnar allmänna uppllysningar om svensk och utländsk standard.*

*Information about the content of the standard is available from the Swedish Standards Institute (SIS), telephone +46 8 555 520 00. Standards may be ordered from SIS Förlag AB, who can also provide general information about Swedish and foreign standards.*

Denna standard är framtagen av kommittén för Installationer, SIS/TK 189/AG 3.

Har du synpunkter på innehållet i den här standarden, vill du delta i ett kommande revideringsarbete eller vara med och ta fram andra standarder inom området? Gå in på [www.sis.se](http://www.sis.se) - där hittar du mer information.



EUROPEAN STANDARD

**EN 14908-2**

NORME EUROPÉENNE

EUROPÄISCHE NORM

April 2014

ICS 35.240.99; 91.140.01; 97.120

Supersedes EN 14908-2:2005

English Version

## Open Data Communication in Building Automation, Controls and Building Management - Control Network Protocol - Part 2: Twisted Pair Communication

Réseau ouvert de communication de données pour  
l'automatisation, la régulation et la gestion technique du  
bâtiment - Protocole de contrôle du réseau - Partie 2 :  
Communication par paire torsadée

Offene Datenkommunikation für die Gebäudeautomation  
und Gebäudemanagement - Gebäude-Netzwerk-Protokoll -  
Teil 2: Kommunikation über verdrehte Zweidrahtleitungen

This European Standard was approved by CEN on 12 April 2013.

CEN members are bound to comply with the CEN/CENELEC Internal Regulations which stipulate the conditions for giving this European Standard the status of a national standard without any alteration. Up-to-date lists and bibliographical references concerning such national standards may be obtained on application to the CEN-CENELEC Management Centre or to any CEN member.

This European Standard exists in three official versions (English, French, German). A version in any other language made by translation under the responsibility of a CEN member into its own language and notified to the CEN-CENELEC Management Centre has the same status as the official versions.

CEN members are the national standards bodies of Austria, Belgium, Bulgaria, Croatia, Cyprus, Czech Republic, Denmark, Estonia, Finland, Former Yugoslav Republic of Macedonia, France, Germany, Greece, Hungary, Iceland, Ireland, Italy, Latvia, Lithuania, Luxembourg, Malta, Netherlands, Norway, Poland, Portugal, Romania, Slovakia, Slovenia, Spain, Sweden, Switzerland, Turkey and United Kingdom.



EUROPEAN COMMITTEE FOR STANDARDIZATION  
COMITÉ EUROPÉEN DE NORMALISATION  
EUROPÄISCHES KOMITEE FÜR NORMUNG

**CEN-CENELEC Management Centre: Avenue Marnix 17, B-1000 Brussels**

## Contents

Foreword.....	3
Introduction .....	4
1 Scope .....	5
2 Normative references .....	5
3 Network overview .....	5
4 System specifications .....	5
4.1 General aspects .....	5
4.2 Cable .....	5
4.3 Topology.....	5
4.3.1 Free or bus topology .....	5
4.3.2 Repeater.....	6
4.4 Cable termination.....	6
4.4.1 Free-topology segment.....	6
4.4.2 Bus topology segment .....	6
4.5 Segment configuration.....	6
4.6 Power specifications .....	7
5 Link power .....	7
5.1 General.....	7
5.2 Source.....	7
5.3 Power supply requirements.....	8
5.4 Passive coupler circuit.....	10
6 Node specifications .....	12
6.1 Link power .....	12
6.2 Hot plugging.....	12
6.3 Transmitter/receiver interface to the MAC sub-layer .....	12
6.3.1 Physical layer protocol data unit .....	12
6.3.2 Frame format .....	12
6.3.3 Transmit waveform.....	13
6.4 Impedance .....	15
7 Communication parameters .....	16
Annex A (informative) Environmental specifications .....	18
Bibliography.....	19

## Foreword

This document (EN 14908-2:2014) has been prepared by Technical Committee CEN/TC 247 "Building Automation, Controls and Building Management", the secretariat of which is held by SNV.

This European Standard shall be given the status of a national standard, either by publication of an identical text or by endorsement, at the latest by October 2014 and conflicting national standards shall be withdrawn at the latest by October 2014.

Attention is drawn to the possibility that some of the elements of this document may be the subject of patent rights. CEN [and/or CENELEC] shall not be held responsible for identifying any or all such patent rights.

This document supersedes EN 14908-2:2005.

This European Standard is part of a series of standards for open data transmission in building automation, control and in building management systems. The content of this European Standard covers the data communications used for management, automation/control and field functions.

EN 14908-2 is part of a series of European Standards under the general title *Control Network Protocol (CNP)*, which comprises the following parts:

Part 1: *Protocol stack*;

Part 2: *Twisted pair communication*;

Part 3: *Power line channel specification*;

Part 4: *IP-Communication*;

Part 5: *Implementation*;

Part 6: *Application elements*.

According to the CEN-CENELEC Internal Regulations, the national standards organizations of the following countries are bound to implement this European Standard: Austria, Belgium, Bulgaria, Croatia, Cyprus, Czech Republic, Denmark, Estonia, Finland, Former Yugoslav Republic of Macedonia, France, Germany, Greece, Hungary, Iceland, Ireland, Italy, Latvia, Lithuania, Luxembourg, Malta, Netherlands, Norway, Poland, Portugal, Romania, Slovakia, Slovenia, Spain, Sweden, Switzerland, Turkey and the United Kingdom.

## **Introduction**

This European Standard has been prepared to provide mechanisms through which various vendors of building automation, control, and building management systems may exchange information in a standardised way. It defines communication capabilities.

This European Standard will be used by all involved in design, manufacture, engineering, installation and commissioning activities.



## 1 Scope

This European Standard specifies the control network protocol (CNP) free-topology twisted-pair channel for networked control systems in commercial Building Automation, Controls and Building Management and is used in conjunction with EN 14908-1:2014. The channel supports communication at 78,125 kbit/s between multiple nodes, each of which consists of a transceiver, a protocol processor, an application processor, a power supply, and application electronics.

This European Standard covers the complete physical layer (OSI Layer 1), including the interface to the Media Access Control (MAC) sub-layer and the interface to the medium. Parameters that are controlled by other layers but control the operation of the physical layer are also specified.

## 2 Normative references

The following documents, in whole or in part, are normatively referenced in this document and are indispensable for its application. For dated references, only the edition cited applies. For undated references, the latest edition of the referenced document (including any amendments) applies.

EN 14908-1:2014, *Open Data Communication in Building Automation, Controls and Building Management - Control Network Protocol - Part 1: Protocol Stack*

EN 50173-1, *Information technology — Generic cabling systems— Part 1: General requirements*

## 3 Network overview

The CNP free-topology twisted-pair channel supports up to 128 nodes on a single network segment with an optional link power source that supplies DC power to the nodes on the network. The channel is specified to support free-topology wiring, and will accommodate bus, star, loop, or any combination of these topologies. The total network length and number of nodes may be extended by use of CNP channel physical layer repeaters, or CNP compliant routers. The channel data rate is 78,125 kbit/s. Nodes can be either locally powered or link powered. A link-powered node derives its power from the network. The power is delivered on the same two conductors that carry data. Nodes are polarity-insensitive with respect to data as well as DC power. A locally powered node derives its power from a local source. The data is transmitted using Differential Manchester encoding, which is polarity-insensitive.

## 4 System specifications

### 4.1 General aspects

This sub-clause specifies the cable type used, terminations required with bus or free topology, maximum node counts and distances for link and locally powered schemes, and the maximum steady state power that can be drawn from the link power supply.

### 4.2 Cable

The cable shall conform to EN 50173-1.

### 4.3 Topology

#### 4.3.1 Free or bus topology

The network may use either a singly-terminated free topology or a doubly-terminated bus topology.

### 4.3.2 Repeater

Two network segments may be interconnected with a channel physical layer repeater. No more than one physical layer repeater shall be in a path between any two nodes on a network. Physical layer repeaters shall not be interconnected in such a way as to create a loop.

Each port of a physical layer repeater shall meet the specifications stated in 6.2, 6.3.3, and 6.4. The delay through the repeater shall not exceed 36  $\mu$ s.

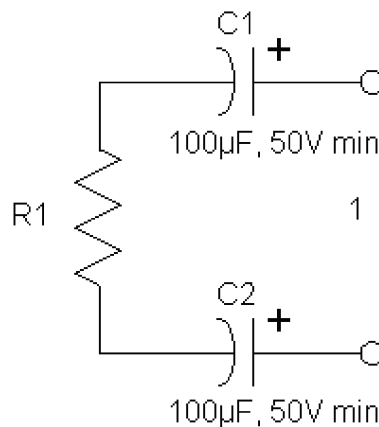
## 4.4 Cable termination

### 4.4.1 Free-topology segment

A free-topology segment shall have a single termination. If the segment is locally powered, an RC network as shown in Figure 1 shall be used, with  $R1 = 52,3 \Omega \pm 1 \%$ , 1/8 W. The termination may be located anywhere on the segment. If the segment is link-powered, the termination shall be provided by the link power source. See Figure 5. The link power source and termination may be located anywhere on the segment.

### 4.4.2 Bus topology segment

A bus topology segment shall have two terminations, one at each end of the bus. If the segment is locally powered, an RC network as shown in Figure 1 shall be used, with  $R1 = 105 \Omega \pm 1 \%$ , 1/8 W at each end. If the segment is link-powered, the link power source shall provide one termination. See Figure 5. The other termination shall be an RC network as shown in Figure 1, with  $R1 = 105 \Omega \pm 1 \%$ , 1/8 W.



#### Key

- 1 network connection

Figure 1 — Termination

## 4.5 Segment configuration

A free-topology twisted-pair channel shall support up to 128 link-powered or 64 locally-powered nodes at a maximum bit error rate of 1 in 100 000. Both types of nodes shall be supported on a given segment, provided the following constraint is met:

$$(1 \times \text{number of link powered nodes}) + (2 \times \text{number of locally powered nodes}) \leq 128$$

Table 1 shows the maximum bus length for a bus-topology segment.

Table 2 shows the maximum node-to-node distance and maximum wire length for a free-topology segment. The distance from each node to each of the other nodes and to the link power source shall not exceed the maximum node-to-node distance. If multiple paths exist, e.g., a loop topology, then the longest path shall be used for the calculations. The maximum wire length is the total amount of wire connected to a network segment.

**Table 1 — Bus-topology distance specifications**

Maximum Bus Length	Maximum Stub Length	Units
600	3	m

**Table 2 — Free topology distance specifications**

Maximum Distance	Node-to-node	Maximum Total Wire length	Units
250		450	m

## 4.6 Power specifications

The sum of the steady-state power drawn by all nodes on a segment shall not exceed 36,5 watts. For each branch, the sum of the products of each node's distance multiplied by that node's power shall not exceed a constant:

$$P_1 \times d_1 + P_2 \times d_2 + P_3 \times d_3 + \dots \leq C \times \alpha \quad (1)$$

where

- C is a constant, dependent on wire type, taking into account manufacturing tolerance and all other variations except wire temperature;
- $C = 1,9 \times 10^3 \text{ Wm}$ ;
- $P_i$  = Node power, i.e., the maximum steady-state power drawn by node 'i' from the network, in watts;
- $d_i$  = Node distance, i.e., the distance of node 'i' from the link power source, in meters;
- $\alpha = 1/(1 + 0,00393 \times (\text{temp} - 25 \text{ }^\circ\text{C}))$ , accounting for average wire temperature.

## 5 Link power

### 5.1 General

A link-powered node derives its power from the network. The power is delivered on the same two conductors that carry data.

### 5.2 Source

The link power source shall consist of a passive coupler together with a power supply having special attributes. The requirements for the power supply for proper system operation include its start-up behaviour, tolerance to direct shorts across its output, and output voltage regulation. A schematic for the coupler is also included. The combination coupler/power supply block diagram is shown in Figure 2. Any deviations from the power supply requirements and coupler schematic (Figure 5) are allowed provided that the link power source design is electrically equivalent.