



SIS - Standardiseringskommissionen i Sverige

Handläggande organ

SMS, SVERIGES MEKANSTANDARDISERING

SVENSK STANDARD SS-ISO 5713

Fastställd

Utgåva

Sida

Registrering

1991-12-04

1

1 (8)

SMS reg 19.277

SIS FASTSTÄLLER OCH UTGER SVENSK STANDARD SAMT SÄLJER NATIONELLA OCH INTERNATIONELLA STANDARDPUBLIKATIONER ©

Fästelement — Sänkskruvar med fyrkant — Metrisk ISO-gångor

Denna standard utgörs av den engelska versionen av den internationella standarden ISO 5713:1990.

Denna standard ersätter SS 3284 (SMS reg 19.277) och SS 3285 (SMS reg 19.278).

Följande dokument, som åberopas i denna standard, är överförda till svenska standarder:

Equipment for working the soil — Fixing bolts for soil working elements

This Swedish standard consists of the English version of the International Standard ISO 5713:1990.

This standard replaces the Swedish standard SS 3284 and SS 3285.

The following documents, referred to in this standard, have been adopted in Swedish standards:

- ISO 898-1:1988 = SS-ISO 898-1, utg 3 (SMS reg 15.61), Fästelement – Hållfasthetsfordringar – Del 1: Skruvar och pinnskruvar med metrisk ISO-gänga, E + Sv
- ISO 965-3:1980 = SS-ISO 965-3, utg 1 (SMS reg 14.143), Metrisk ISO-gångor – Gängtoleranser – Gränsavmätt, E + Sv
- ISO 4759-1:1978 = SS-ISO 4759-1, utg 1 (SMS reg 15.833), Fästelement – Toleranser för skruvar och muttrar med gängdiameter 1,6 – 150 mm – Produktklass A, B och C, E + Sv

E betecknar engelsk text, Sv svensk.

E indicates English text, Sv Swedish.

UDK 631.31:621.882.6

Standarder kan beställas hos SIS som även lämnar allmänna upplysningar om svensk och utländsk standard.
Postadress: SIS, Box 3295, 103 66 STOCKHOLM
Telefon: 08 - 613 52 00. Telefax: 08 - 11 70 35

Upplysningar om **sakinnehållet** i standarden lämnas av SMS.
Telefon: 08 - 783 83 00. Telefax: 08 - 667 85 42

Prisgrupp K

Tryckt i februari 1992

Foreword

ISO (the International Organization for Standardization) is a worldwide federation of national standards bodies (ISO member bodies). The work of preparing International Standards is normally carried out through ISO technical committees. Each member body interested in a subject for which a technical committee has been established has the right to be represented on that committee. International organizations, governmental and non-governmental, in liaison with ISO, also take part in the work. ISO collaborates closely with the International Electrotechnical Commission (IEC) on all matters of electrotechnical standardization.

Draft International Standards adopted by the technical committees are circulated to the member bodies for voting. Publication as an International Standard requires approval by at least 75 % of the member bodies casting a vote.

International Standard ISO 5713 was prepared by Technical Committee ISO/TC 23, *Tractors and machinery for agriculture and forestry*.

Equipment for working the soil — Fixing bolts for soil working elements

1 Scope

This International Standard specifies dimensions and characteristics of three types of bolts for the fixing of soil working elements.

2 Normative references

The following standards contain provisions which, through reference in this text, constitute provisions of this International Standard. At the time of publication, the editions indicated were valid. All standards are subject to revision, and parties to agreements based on this International Standard are encouraged to investigate the possibility of applying the most recent editions of the standards indicated below. Members of IEC and ISO maintain registers of currently valid International Standards.

ISO 898-1:1988, *Mechanical properties of fasteners — Part 1: Bolts, screws and studs.*

ISO 965-3:1980, *ISO general purpose metric screw threads — Tolerances — Part 3: Deviations for constructional threads.*

ISO 4759-1:1978, *Tolerances for fasteners — Part 1: Bolts, screws and nuts with thread diameters between 1,6 (inclusive) and 150 mm (inclusive) and product grades A, B and C.*

3 Dimensions

Bolt dimensions are shown in figure 1, figure 2 and figure 3, and given in table 1, table 2 and table 3.

3.1 Round head countersunk square neck bolts

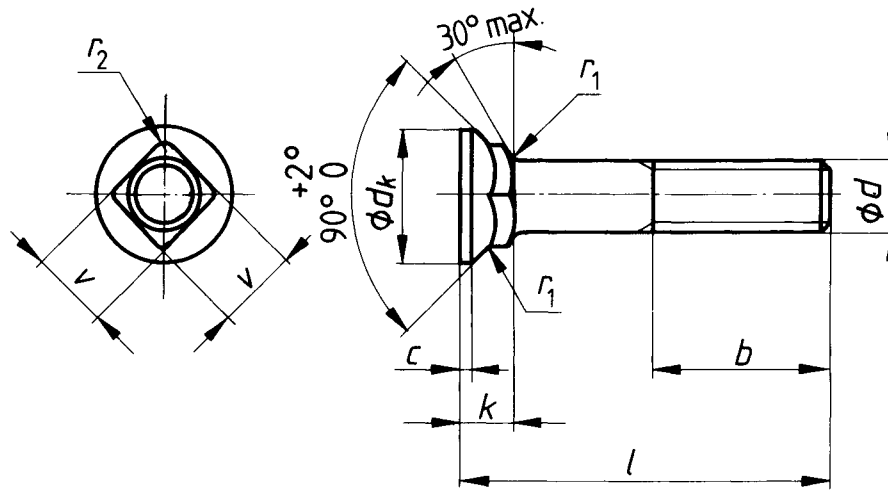


Figure 1 — Round head countersunk square neck bolts

Table 1 — Dimensions of round head countersunk square neck bolts

Dimensions in millimetres

Thread size, <i>d</i>	M8	M10	M12	M16	M20
<i>d_k</i> h15	14	18	21	30	36
<i>k</i> h14	5,5	7	8	10,5	13,5
<i>v</i> h14	8	10	12	16	20
<i>b</i> 1)	22	26	30	38	46
<i>c</i> 2)	1	1,2	1,2	1,4	2,5
<i>r₁</i> max.	0,8	0,8	1,2	1,2	1,6
<i>r₂</i> max.	0,8	1	1,2	1,6	2
<i>l</i> js17	Standard lengths are indicated by crosses				
20	x				
25	x	x			
30	x	x	x		
35	x	x	x		
40		x	x	x	
45		x	x	x	x
50		x	x	x	x
60			x	x	x
70			-	x	x
80				x	x
90				x	x
100				x	x

1) Lengths $l \leq 45$ to be threaded up to the head.

2) Approximate dimensions.

3.2 Oval head countersunk square neck bolts

Dimensions in millimetres

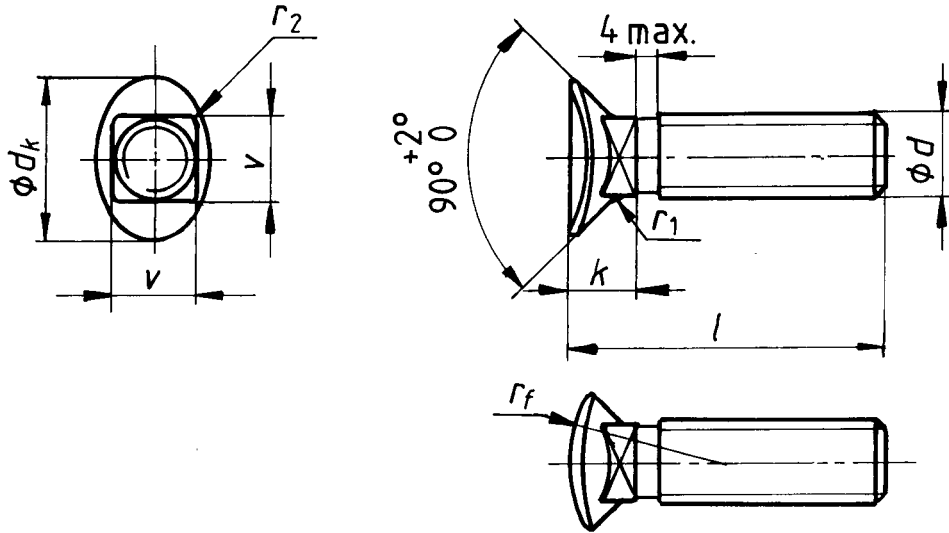


Figure 2 — Oval head countersunk square neck bolts

Table 2 — Dimensions of oval head countersunk square neck bolts

Dimensions in millimetres

Thread size, d	M10	M12
v h14	10	12
d_k h15	19	23
k h16	7,5	9
r_1 max.	1	1,2
r_2 max.	1	1,2
r_f ± 2	16	20
l js17	35 40 45	35 40 45

3.3 Double nibbed countersunk bolts

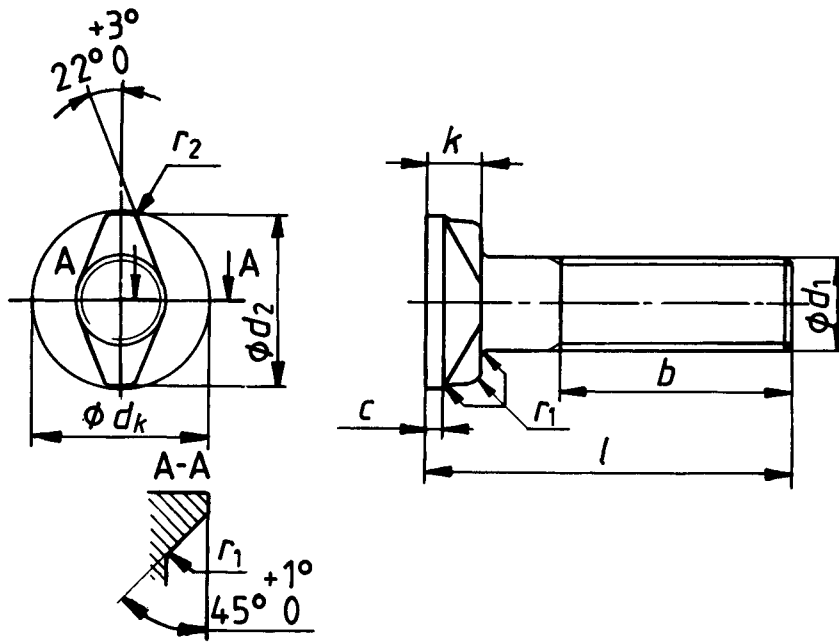


Figure 3 — Double nibbed countersunk bolts