

SVENSK STANDARD

SS-EN ISO 17249:2013



Fastställt/Approved: 2013-11-24

Publicerad/Published: 2013-11-25 (Korrigerad version/Corrected version, January 2014)

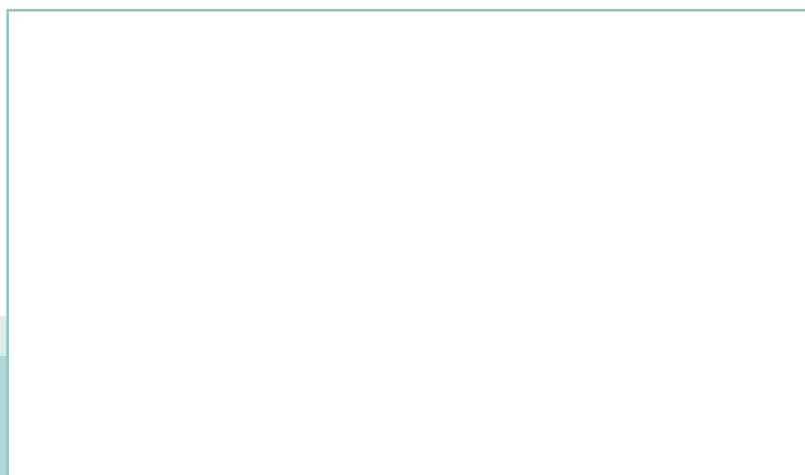
Utgåva/Edition: 2

Språk/Language: engelska/English

ICS: 13.340.50

Skyddsskor till skydd mot kedjesåg (ISO 17249:2013)

Safety footwear with resistance to chain saw cutting (ISO 17249:2013)



Standarder får världen att fungera

SIS (Swedish Standards Institute) är en fristående ideell förening med medlemmar från både privat och offentlig sektor. Vi är en del av det europeiska och globala nätverk som utarbetar internationella standarder. Standarder är dokumenterad kunskap utvecklad av framstående aktörer inom industri, näringsliv och samhälle och befrämjar handel över gränser, bidrar till att processer och produkter blir säkrare samt effektiviserar din verksamhet.

Delta och påverka

Som medlem i SIS har du möjlighet att påverka framtida standarder inom ditt område på nationell, europeisk och global nivå. Du får samtidigt tillgång till tidig information om utvecklingen inom din bransch.

Ta del av det färdiga arbetet

Vi erbjuder våra kunder allt som rör standarder och deras tillämpning. Hos oss kan du köpa alla publikationer du behöver – allt från enskilda standarder, tekniska rapporter och standardpaket till handböcker och onlinetjänster. Genom vår webbtjänst e-nav får du tillgång till ett lättnavigerat bibliotek där alla standarder som är aktuella för ditt företag finns tillgängliga. Standarder och handböcker är källor till kunskap. Vi säljer dem.

Utveckla din kompetens och lyckas bättre i ditt arbete

Hos SIS kan du gå öppna eller företagsinterna utbildningar kring innehåll och tillämpning av standarder. Genom vår närhet till den internationella utvecklingen och ISO får du rätt kunskap i rätt tid, direkt från källan. Med vår kunskap om standarders möjligheter hjälper vi våra kunder att skapa verklig nytta och lönsamhet i sina verksamheter.

Vill du veta mer om SIS eller hur standarder kan effektivisera din verksamhet är du välkommen in på www.sis.se eller ta kontakt med oss på tel 08-555 523 00.



Standards make the world go round

SIS (Swedish Standards Institute) is an independent non-profit organisation with members from both the private and public sectors. We are part of the European and global network that draws up international standards. Standards consist of documented knowledge developed by prominent actors within the industry, business world and society. They promote cross-border trade, they help to make processes and products safer and they streamline your organisation.

Take part and have influence

As a member of SIS you will have the possibility to participate in standardization activities on national, European and global level. The membership in SIS will give you the opportunity to influence future standards and gain access to early stage information about developments within your field.

Get to know the finished work

We offer our customers everything in connection with standards and their application. You can purchase all the publications you need from us - everything from individual standards, technical reports and standard packages through to manuals and online services. Our web service e-nav gives you access to an easy-to-navigate library where all standards that are relevant to your company are available. Standards and manuals are sources of knowledge. We sell them.

Increase understanding and improve perception

With SIS you can undergo either shared or in-house training in the content and application of standards. Thanks to our proximity to international development and ISO you receive the right knowledge at the right time, direct from the source. With our knowledge about the potential of standards, we assist our customers in creating tangible benefit and profitability in their organisations.

If you want to know more about SIS, or how standards can streamline your organisation, please visit www.sis.se or contact us on phone +46 (0)8-555 523 00



Europastandarden EN ISO 17249:2013 gäller som svensk standard. Detta dokument innehåller den officiella engelska versionen av EN ISO 17249:2013.

Denna standard ersätter SS-EN ISO 17249:2005, utgåva 1 och SS-EN ISO 17249:2005/A1:2007, utgåva 1.

The European Standard EN ISO 17249:2013 has the status of a Swedish Standard. This document contains the official version of EN ISO 17249:2013.

This standard supersedes the Swedish Standard SS-EN ISO 17249:2005, edition 1 and SS-EN ISO 17249:2005/A1:2007, edition 1.

Korrigering/Correction January 2014

**Denna korrigerade version innehåller följande rättningar/
This corrected version contains the following corrections:**

Förordet har uppdaterats med korrekt datum för tillbakadragande som nu är november 2015 istället för november 2016.

The foreword has been updated with the correct DOW date, which now reads November 2015 instead of November 2016.

Korrigering/Correction December 2013

**Denna korrigerade version innehåller följande rättningar/
This corrected version contains the following corrections:**

Annex ZA är tillagt.
The Annex ZA is added.

© Copyright/Upphovsrätten till denna produkt tillhör SIS, Swedish Standards Institute, Stockholm, Sverige. Användningen av denna produkt regleras av slutanvändarlicensen som återfinns i denna produkt, se standardens sista sidor.

© Copyright SIS, Swedish Standards Institute, Stockholm, Sweden. All rights reserved. The use of this product is governed by the end-user licence for this product. You will find the licence in the end of this document.

Upplysningar om sakinnehållet i standarden lämnas av SIS, Swedish Standards Institute, telefon 08-555 520 00. Standarder kan beställas hos SIS Förlag AB som även lämnar allmänna upplysningar om svensk och utländsk standard.

Information about the content of the standard is available from the Swedish Standards Institute (SIS), telephone +46 8 555 520 00. Standards may be ordered from SIS Förlag AB, who can also provide general information about Swedish and foreign standards.

Denna standard är framtagen av kommittén för Skyddsskor, SIS/TK 397.

Har du synpunkter på innehållet i den här standarden, vill du delta i ett kommande revideringsarbete eller vara med och ta fram andra standarder inom området? Gå in på www.sis.se - där hittar du mer information.

EUROPEAN STANDARD
NORME EUROPÉENNE
EUROPÄISCHE NORM

EN ISO 17249

November 2013

ICS 13.340.50

Supersedes EN ISO 17249:2004

English Version

Safety footwear with resistance to chain saw cutting (ISO 17249:2013)

Chaussures de sécurité résistantes aux coupures de scie à chaîne (ISO 17249:2013)

Sicherheitsschuhe mit Schutzwirkung gegen Kettensägenschnitte (ISO 17249:2013)

This European Standard was approved by CEN on 28 September 2013.

CEN members are bound to comply with the CEN/CENELEC Internal Regulations which stipulate the conditions for giving this European Standard the status of a national standard without any alteration. Up-to-date lists and bibliographical references concerning such national standards may be obtained on application to the CEN-CENELEC Management Centre or to any CEN member.

This European Standard exists in three official versions (English, French, German). A version in any other language made by translation under the responsibility of a CEN member into its own language and notified to the CEN-CENELEC Management Centre has the same status as the official versions.

CEN members are the national standards bodies of Austria, Belgium, Bulgaria, Croatia, Cyprus, Czech Republic, Denmark, Estonia, Finland, Former Yugoslav Republic of Macedonia, France, Germany, Greece, Hungary, Iceland, Ireland, Italy, Latvia, Lithuania, Luxembourg, Malta, Netherlands, Norway, Poland, Portugal, Romania, Slovakia, Slovenia, Spain, Sweden, Switzerland, Turkey and United Kingdom.



EUROPEAN COMMITTEE FOR STANDARDIZATION
COMITÉ EUROPÉEN DE NORMALISATION
EUROPÄISCHES KOMITEE FÜR NORMUNG

CEN-CENELEC Management Centre: Avenue Marnix 17, B-1000 Brussels

Contents

Page

Foreword	iv
1 Scope	1
2 Normative references	1
3 Terms and definitions	1
4 Sampling and conditioning	2
5 Classification	2
6 Requirements	3
6.1 General	3
6.2 Design	7
6.3 Construction	8
6.4 Resistance to chain saw cutting	9
7 Marking	9
8 Information to be supplied	10
8.1 General	10
8.2 Protection against chain saw cutting	11
8.3 Penetration resistance	11
8.4 Antistatic footwear	11
8.5 Insocks	12
Annex A (informative) Assessment of the footwear by the wearer	13
Annex ZA (informative) Clauses of this European Standard addressing essential requirements or other provisions of EU directives	16
Bibliography	18

Foreword

This document (EN ISO 17249:2013) has been prepared by Technical Committee ISO/TC 94 "Personal safety - Protective clothing and equipment" in collaboration with Technical Committee CEN/TC 161 "Foot and leg protectors" the secretariat of which is held by BSI.

This European Standard shall be given the status of a national standard, either by publication of an identical text or by endorsement, at the latest by May 2014, and conflicting national standards shall be withdrawn at the latest by November 2015.

Attention is drawn to the possibility that some of the elements of this document may be the subject of patent rights. CEN [and/or CENELEC] shall not be held responsible for identifying any or all such patent rights.

This document supersedes EN ISO 17249:2004.

This document has been prepared under a mandate given to CEN by the European Commission and the European Free Trade Association, and supports essential requirements of EU Directive.

For relationship with EU Directive, see informative Annex ZA, which is an integral part of this document.

According to the CEN-CENELEC Internal Regulations, the national standards organizations of the following countries are bound to implement this European Standard: Austria, Belgium, Bulgaria, Croatia, Cyprus, Czech Republic, Denmark, Estonia, Finland, Former Yugoslav Republic of Macedonia, France, Germany, Greece, Hungary, Iceland, Ireland, Italy, Latvia, Lithuania, Luxembourg, Malta, Netherlands, Norway, Poland, Portugal, Romania, Slovakia, Slovenia, Spain, Sweden, Switzerland, Turkey and the United Kingdom.

Endorsement notice

The text of ISO 17249:2013 has been approved by CEN as EN ISO 17249:2013 without any modification.

Safety footwear with resistance to chain saw cutting

1 Scope

This International Standard specifies requirements for safety footwear with resistance to chain saw cutting.

2 Normative references

The following documents, in whole or in part, are normatively referenced in this document and are indispensable for its application. For dated references, only the edition cited applies. For undated references, the latest edition of the referenced document (including any amendments) applies.

ISO 20344:2011, *Personal protective equipment — Test methods for footwear*

ISO 20345:2011, *Personal protective equipment — Safety footwear*

EN 381-3, *Protective clothing for users of hand-held chain-saws — Part 3: Test methods for footwear*

EN 50321, *Electrically insulating footwear for working on low voltage installations*

3 Terms and definitions

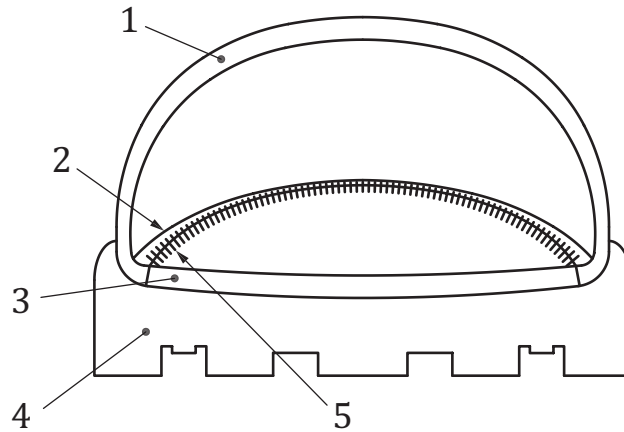
For the purposes of this document, the terms and definitions given in ISO 20345 and the following apply.

3.1

feather line

line around the inside of the footwear where the foot enclosure turns from vertical to horizontal

Note 1 to entry: This is not ordinarily the same as the insole edge or sole edge. See [Figure 1](#).

**Key**

- 1 upper
- 2 feather line
- 3 insole
- 4 outsole
- 5 Strobel stitching

Figure 1 — Position of the feather line

4 Sampling and conditioning

The minimum number of samples shall be that specified in ISO 20344:2011, Table 1, for general test methods and [Clause 6](#) for job-related test methods.

All test pieces shall be conditioned in a standard atmosphere of (23 ± 2) °C and (50 ± 5) % relative humidity for a minimum of 48 h before testing, unless otherwise stated in the test method.

The maximum time which shall elapse between removal from the conditioning atmosphere and the start of testing shall be not greater than 10 min, unless otherwise stated in the test method.

Each test piece shall individually satisfy the specific requirement, unless otherwise stated in the test method.

The uncertainty of measurement for each test method described in this International Standard shall be assessed. One of the two following approaches shall be used:

- a statistical method, e.g. that given in ISO 5725-2;[\[1\]](#)
- a mathematical method, e.g. that given in ENV 13005.[\[3\]](#)

5 Classification

Safety footwear with resistance to chain saw cutting shall be classified in accordance with ISO 20345:2011, Table 1.

6 Requirements

6.1 General

Three levels of performance (see [Table 4](#)) of safety footwear with varying resistance to chain saw cutting are specified according to the different chain saw speeds.

Safety footwear with resistance to chain saw cutting shall conform to the requirements given in [Tables 1, 2, 3](#) and [4](#).

Table 1 — Requirements

	Requirement	Reference		Classification		Symbol
		ISO 20345:2011	This International Standard	I	II	
Design	Height of upper	5.2.1		X	X	
	Seat region	5.2.2		X	X	
	Design		6.2	X	X	
	Construction		6.3	X	X	

NOTE The applicability of a requirement to a particular classification is indicated in this Table by the following:

X The requirement shall be met. In some cases the requirement relates only to particular materials within the classification — e.g. pH value of leather components. This does not mean that other materials are precluded from use.

O If the component part exists, the requirement shall be met. The absence of X or O indicates that there is no requirement.

^a If the property is claimed, the requirement given in the appropriate clause shall be met.